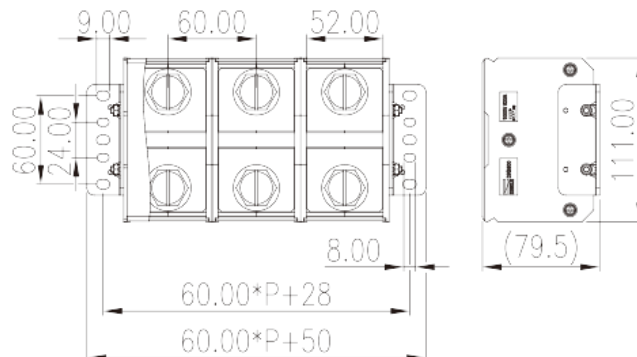


DKB500-XXPCK

NEMA

>

:2026-07-04



Pitch : 60.00mm, M16, 1000V, 620A

	Panel Mounting, Screw Connection
	Panel Mounting
(mm)	60.00
	Refer to drawing
	Screw connection
	Panel Mounting
(mm)	60*P+50
(mm)	111
(mm)	Refer to drawing
	Single level
	2~24
	PC
	IIIa
UL 94	V2
	1000M at DC 500V
	COPPER ALLOY



Ni PLATED

-IEC

(V)	1000
(A)	520
(III/3)(V)	1000
(III/3)(KV)	8
	M16
Width)(mm) (Blade thickness x	1.6x8
(N.m)	10
	The stripping length depends on the specification provided by the cable lug manufacturer
	NO

-UL

(UL/CUL Group C)(V)	1000
(UL/CUL Group C)(A)	475 (350 ~750)kcmil) 620 2X(250~350)kcmil
(UL/CUL Group E)(V)	1000
(UL/CUL Group E)(A)	475 (350 ~750)kcmil) 620 2X(250~350)kcmil
UL/CUL AWG	350 kcmil/2x250 kcmil
UL/CUL AWG	750 kcmil/2x350 kcmil

&

(YES or NO)	YES
가 (YES or NO)	NO
	125
	-40

UL

(Group E)(AWG)	350~750kcmil 2x (250~350) kcmil
(Group E)(V)	1000
(Group E)(A)	475 (350 ~750)kcmil) 620 2X(250~350)kcmil

CUL

(Group C)(AWG)	350~750kcmil 2x (250~350) kcmil
----------------	-----------------------------------

(Group C)(V)	1000
(Group C)(A)	475 (350 ~750)kcmil) 620 2X(250~350)kcmil

