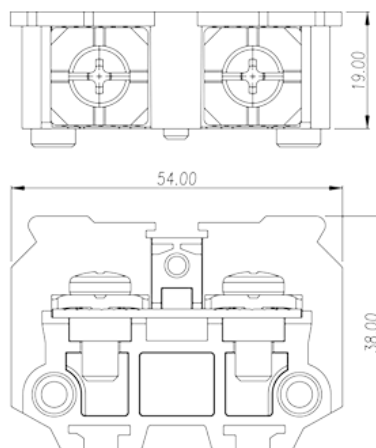
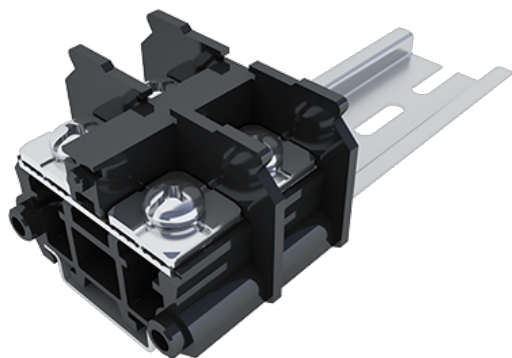


DKB80

NEMA

>

:2026-07-04



M6, 600V, 85A

	Feed-Through single level,Screw Connection
	Feed-Through single level
	Refer to drawing
	Screw connection
	Rail mounting
(mm)	54
(mm)	19
(mm)	41.5(TS-35N) / 49(TS-35/15N)
	Single level
	2
	PC
	IIIa
UL 94	V2
	1000M at DC 500V
	COPPER ALLOY
	Ni PLATED

-IEC

(V)		800
(A)		76(0.75~16mm ²) / 101(25mm ² With Ring terminal)
(III/3)(V)		800
(III/3)(KV)		8
(mm ²)		0.75
(mm ²)		16
(mm ²)		16
(mm ²)		16 (Bare wire) or 25
		M6
Width)(mm)	(Blade thickness x	1.0x5.5
Philips		PH2
(N.m)		3
(N.m)		2.5
(N.m)		3
		16~17 The stripping length depends on the specification provided by the cable lug manufacturer
		TS-35N、TS-35/15N
		YES
		NO

-UL

(UL/CUL Group B)(V)		600
(UL/CUL Group B)(A)		85
(UL/CUL Group C)(V)		600
(UL/CUL Group C)(A)		85
UL/CUL	AWG	18
UL/CUL	AWG	4
UL/CUL	AWG	18
UL/CUL	AWG	4

&

(YES or NO)		YES
가 (YES or NO)		NO



	125
	-40

UL

(Group B)(AWG)	18~4
(Group B)(V)	600
(Group B)(A)	85
(Group C)(AWG)	18~4
(Group C)(V)	600
(Group C)(A)	85

CUL

(Group B)(AWG)	18~4
(Group B)(V)	600
(Group B)(A)	85
(Group C)(AWG)	18~4
(Group C)(V)	600
(Group C)(A)	85

VDE

(mm ²)	0.75~25
(V)	800
(A)	76(0.75~16mm ²) / 101(25mm ² With Ring terminal)

--	--

