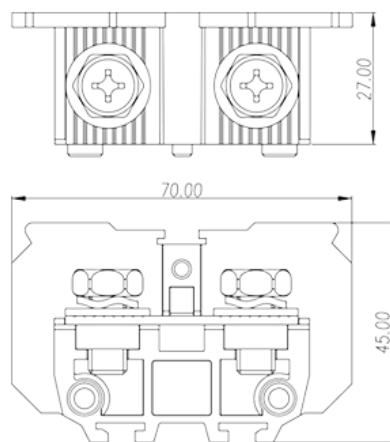
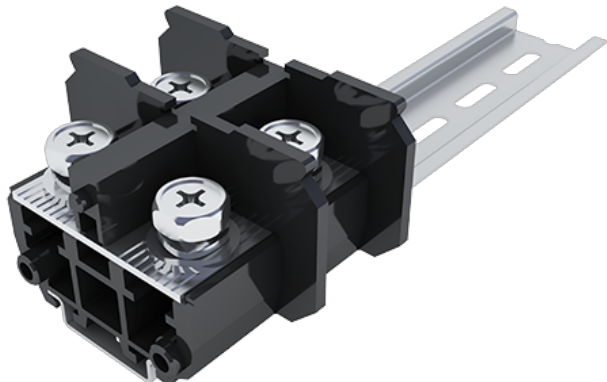


DKB150

NEMA

>

:2026-07-04



M8, 600V, 190A

	Feed-Through single level, Screw Connection
	Feed-Through single level
	Refer to drawing
	Screw connection
	Rail mounting
(mm)	70
(mm)	27
(mm)	48.5 (TS-35N) / 56 (TS-35/15N)
	Single level
	2
	PC
	IIIa
UL 94	V2
	1000M at DC 500V
	COPPER ALLOY
	Ni PLATED

-IEC

(V)	1000
(A)	192
(III/3)(V)	1000
(III/3)(KV)	8
(mm ²)	10
(mm ²)	70
(mm ²)	10
(mm ²)	70
	M8
Philips	PH3
(N.m)	4.2
(N.m)	3.5
(N.m)	4.2
	The stripping length depends on the specification provided by the cable lug manufacturer
	TS-35N、TS-35/15N
	YES
	NO

-UL

(UL/CUL Group B)(V)	600
(UL/CUL Group B)(A)	190
(UL/CUL Group C)(V)	600
(UL/CUL Group C)(A)	190
UL/CUL AWG	8
UL/CUL AWG	3/0
UL/CUL AWG	8
UL/CUL AWG	3/0

&

(YES or NO)	YES
가 (YES or NO)	NO
	125
	-40

UL

(Group B)(AWG)	8~3/0
(Group B)(V)	600
(Group B)(A)	190
(Group C)(AWG)	8~3/0
(Group C)(V)	600
(Group C)(A)	190

CUL

(Group B)(AWG)	8~3/0
(Group B)(V)	600
(Group B)(A)	190
(Group C)(AWG)	8~3/0
(Group C)(V)	600
(Group C)(A)	190

VDE

(mm ²)	10~70
(V)	1000
(A)	192

