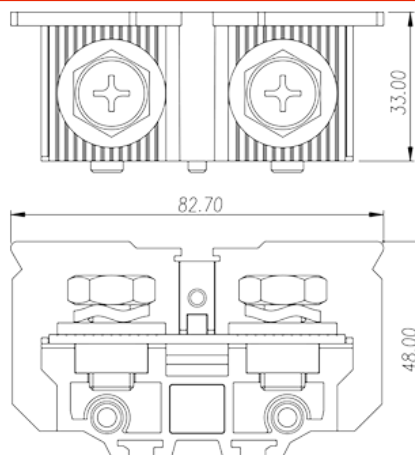
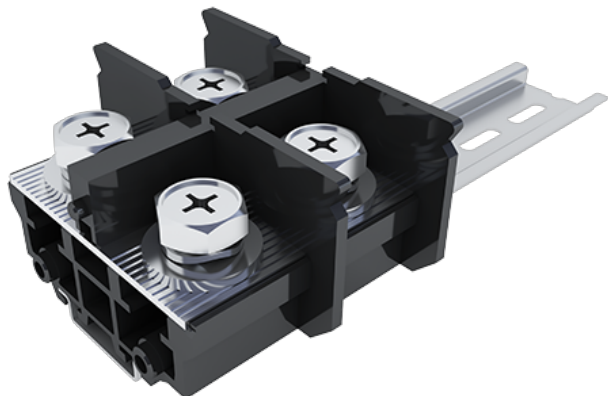


DKB200

NEMA

>

:2026-07-04



M10, 600V, 230A

	Feed-Through single level, Screw Connection
	Feed-Through single level
	Refer to drawing
	Screw connection
	Rail mounting
(mm)	82.7
(mm)	33
(mm)	51.5 (TS-35N) / 59(TS-35/15N)
	Single level
	2
	PC
	IIIa
UL 94	V2
	1000M at DC 500V
	COPPER ALLOY
	Ni PLATED

-IEC

(V)	1000
(A)	232
(III/3)(V)	1000
(III/3)(KV)	8
	M10
Philips	PH4
(N.m)	5
(N.m)	4
(N.m)	5
	The stripping length depends on the specification provided by the cable lug manufacturer
	TS-35N、TS-35/15N
	YES
	NO

-UL

(UL/CUL Group B)(V)	600
(UL/CUL Group B)(A)	230
(UL/CUL Group C)(V)	600
(UL/CUL Group C)(A)	230
UL/CUL AWG	8
UL/CUL AWG	4/0
UL/CUL AWG	8
UL/CUL AWG	4/0

&

(YES or NO)	YES
가 (YES or NO)	NO
	125
	-40

UL

(Group B)(AWG)	8~4/0
(Group B)(V)	600

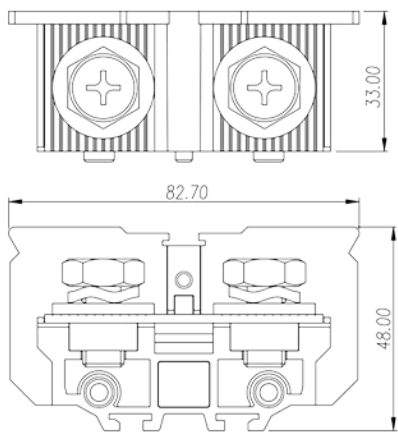
(Group B) (A)	230
(Group C) (AWG)	8~4/0
(Group C) (V)	600
(Group C) (A)	230

CUL

(Group B) (AWG)	8~4/0
(Group B) (V)	600
(Group B) (A)	230
(Group C) (AWG)	8~4/0
(Group C) (V)	600
(Group C) (A)	230

VDE

(mm ²)	10~95
(V)	1000
(A)	232





Delight Through Connections