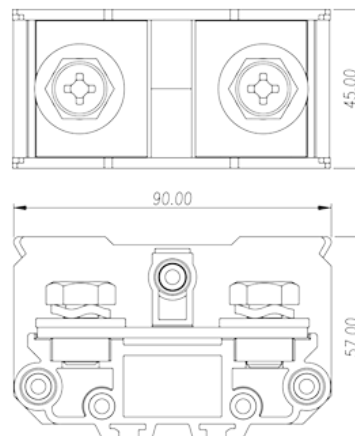
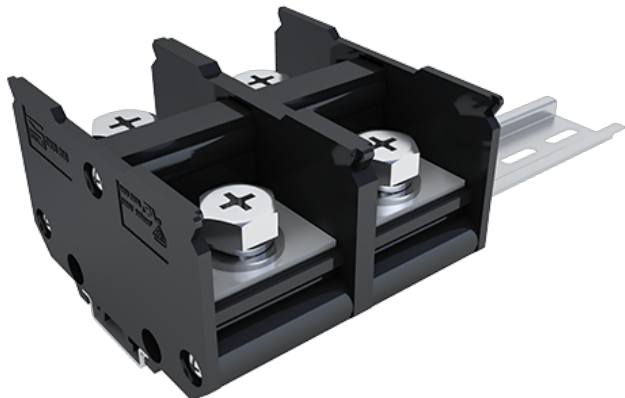


DKB300

NEMA

>

:2026-07-04



M10, 600V, 380A

	Feed-Through single level, Screw Connection
	Feed-Through single level
	Refer to drawing
	Screw connection
	Rail mounting
(mm)	90
(mm)	45
(mm)	Refer to drawing
	Single level
	2
	PC
	IIIa
UL 94	V2
	1000M at DC 500V
	COPPER ALLOY
	Ni PLATED

-IEC

(V)	1000
(A)	415
(III/3)(V)	1000
(III/3)(KV)	8
	M10
Philips	PH4
(N.m)	10
	The stripping length depends on the specification provided by the cable lug manufacturer
	TS-35N、TS-35/15N
	NO

-UL

(UL/CUL Group B)(V)	600
(UL/CUL Group B)(A)	380
(UL/CUL Group C)(V)	600
(UL/CUL Group C)(A)	380
UL/CUL AWG	3/0(With Ring terminals) 2X6 (With Ring terminals)
UL/CUL AWG	500(kcmil)(With Ring terminals) 2X3/0(With Ring terminals)
UL/CUL AWG	3/0(With Ring terminals) 2X6 (With Ring terminals)
UL/CUL AWG	500(kcmil)(With Ring terminals) 2X3/0(With Ring terminals)

&

(YES or NO)	YES
가 (YES or NO)	NO
	125
	-40

UL

(Group B)(AWG)	3/0~500kcmil 2x(6~3/0)
(Group B)(V)	600
(Group B)(A)	380
(Group C)(AWG)	3/0~500kcmil 2x(6~3/0)

(Group C)(V)	600
(Group C)(A)	380

CUL

(Group B)(AWG)	3/0~500kcmil 2x(6~3/0)
(Group B)(V)	600
(Group B)(A)	380
(Group C)(AWG)	3/0~500kcmil 2x(6~3/0)
(Group C)(V)	600
(Group C)(A)	380

VDE

(mm ²)	70~240
(V)	1000
(A)	415

