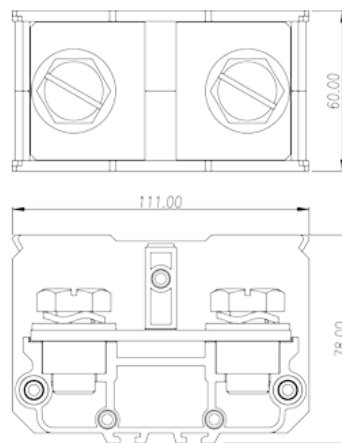
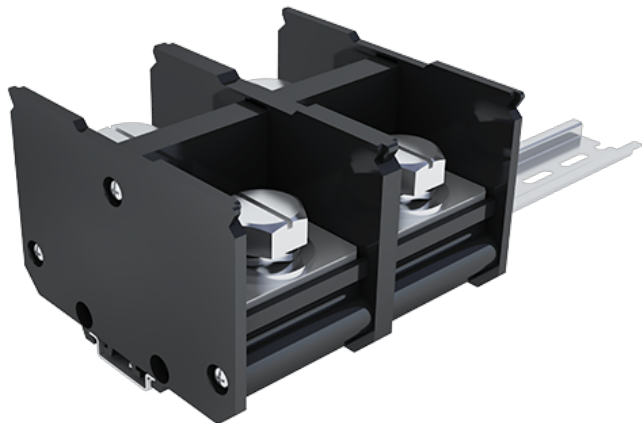


DKB500

NEMA

>

:2026-07-04



M16, 1000V, 475/620A

	Feed-Through single level, Screw Connection
	Feed-Through single level
	Refer to drawing
	Screw connection
	Rail mounting
(mm)	111
(mm)	60
(mm)	Refer to drawing
	Single level
	2
	PC
	IIIa
UL 94	V2
	1000M at DC 500V
	COPPER ALLOY
	Ni PLATED

-IEC

(V)		1000
(A)		520
(III/3)(V)		1000
(III/3)(KV)		8
		M16
Width)(mm)	(Blade thickness x	1.6x8
	(N.m)	10
		The stripping length depends on the specification provided by the cable lug manufacturer
		TS-35N、 TS-35/15N
		NO

-UL

(UL/CUL Group C)(V)		1000
(UL/CUL Group C)(A)		475 (350 ~750)kcmil) 620 2X(250~350)kcmil
(UL/CUL Group E)(V)		1000
(UL/CUL Group E)(A)		475 (350 ~750)kcmil) 620 2X(250~350)kcmil
UL/CUL	AWG	350(kcmil) 2X250(kcmil)
UL/CUL	AWG	750(kcmil) 2X350(kcmil)

&

(YES or NO)		YES
가 (YES or NO)		NO
		125
		-40

UL

(Group C)(AWG)		I
(Group E)(AWG)		350~750kcmil 2x (250~350) kcmil
(Group E)(V)		1000
(Group E)(A)		475 (350 ~750)kcmil) 620 2X(250~350)kcmil

CUL

(Group C)(AWG)		350~750kcmil 2x (250~350) kcmil
----------------	--	-----------------------------------

(Group C)(V)	1000
(Group C)(A)	475 (350 ~750)kcmil) 620 2X(250~350)kcmil

