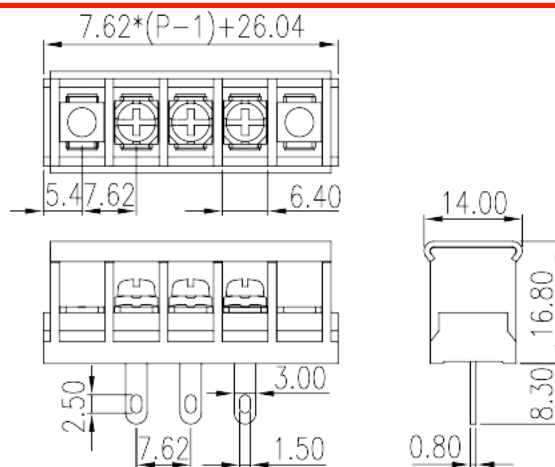
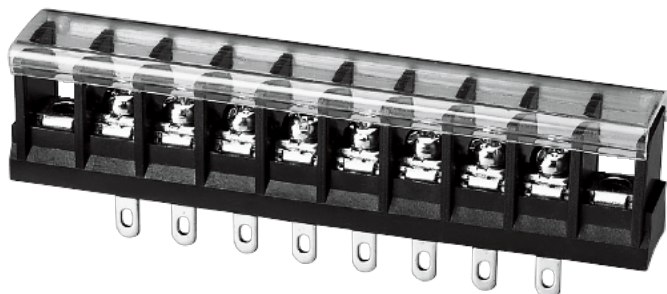


# DT-2G-A02W-XX

>

:2026-07-05 :1.1



Pitch: 7.62mm, M3, 300V, 15A

	Barrier terminal blocks , Screw connection
	Single Row
(mm)	7.62
	Black(default)
	Screw connection
	With mounting flange
( x ) (mm)	3.0X0.8
	Single Row
	PBT
	IIIa
UL 94	V0
	Copper Alloy
	Tinned
-IEC	
(A)	24



(II/2)(V)		630
(III/2)(V)		320
(III/3)(V)		320
(II/2)(KV)		4
(III/2)(KV)		4
(III/3)(KV)		4
(mm <sup>2</sup> )		0.2
(mm <sup>2</sup> )		2.5
(mm <sup>2</sup> )		0.2
(mm <sup>2</sup> )		2.5
2	(mm <sup>2</sup> )	1.5
2	(mm <sup>2</sup> )	1.5
		M3
Width)(mm)	(Blade thickness x	0.8x4.0
Philips		PH2
(N.m)		0.8
(N.m)		0.5
(N.m)		0.8
		7~8

**-UL**

(UL/CUL Group B)(V)		300
(UL/CUL Group B)(A)		15
(UL/CUL Group D)(V)		300
(UL/CUL Group D)(A)		10
UL/CUL	AWG	22
UL/CUL	AWG	14
UL/CUL	AWG	22
UL/CUL	AWG	14

**&**

(YES or NO)		YES
		130
		-40

## UL

(Group B) (AWG)	22~14
(Group B) (V)	300
(Group B) (A)	15
(Group D) (AWG)	22~14
(Group D) (V)	300
(Group D) (A)	10

## CUL

(Group B) (AWG)	22~14
(Group B) (V)	300
(Group B) (A)	15
(Group D) (AWG)	22~14
(Group D) (V)	300
(Group D) (A)	10

