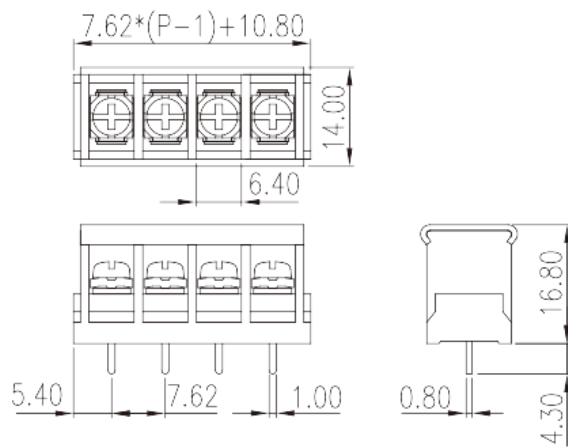
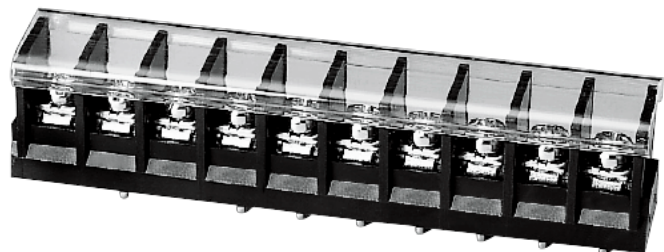


DT-2G-B01W-XX

>

:2026-07-05 :1.1



Pitch: 7.62mm , M3, 300V, 15A

	Barrier terminal blocks , Screw connection
	Single Row
(mm)	7.62
	Black(default)
	Screw connection
	Without
(x) (mm)	0.8X1.0
PCB (mm)	1.4~1.5
	Single Row
	PBT
	IIIa
UL 94	V0
	Copper Alloy
	Tinned

-IEC

(A)		24
(II/2)(V)		630
(III/2)(V)		630
(III/3)(V)		400
(II/2)(KV)		6
(III/2)(KV)		6
(III/3)(KV)		6
(mm ²)		0.2
(mm ²)		2.5
(mm ²)		0.2
(mm ²)		2.5
2	(mm ²)	1.5
2	(mm ²)	1.5
		M3
Width)(mm)	(Blade thickness x	0.8x4.0
Philips		PH2
	(N.m)	0.8
	(N.m)	0.5
	(N.m)	0.8
		7~8

-UL

(UL/CUL Group B)(V)		300
(UL/CUL Group B)(A)		15
(UL/CUL Group C)(V)		150
(UL/CUL Group C)(A)		15
(UL/CUL Group D)(V)		300
(UL/CUL Group D)(A)		10
UL/CUL	AWG	22
UL/CUL	AWG	14
UL/CUL	AWG	22
UL/CUL	AWG	14

&



(YES or NO)	YES
	130
	-40

UL

(Group B)(AWG)	22~14
(Group B)(V)	300
(Group B)(A)	15
(Group C)(AWG)	22~14
(Group C)(V)	150
(Group C)(A)	15
(Group D)(AWG)	22~14
(Group D)(V)	300
(Group D)(A)	10

CUL

(Group B)(AWG)	22~14
(Group B)(V)	300
(Group B)(A)	15
(Group C)(AWG)	22~14
(Group C)(V)	150
(Group C)(A)	15
(Group D)(AWG)	22~14
(Group D)(V)	300
(Group D)(A)	10

VDE

(mm ²)	0.2~2.5
(A)	24

--	--

