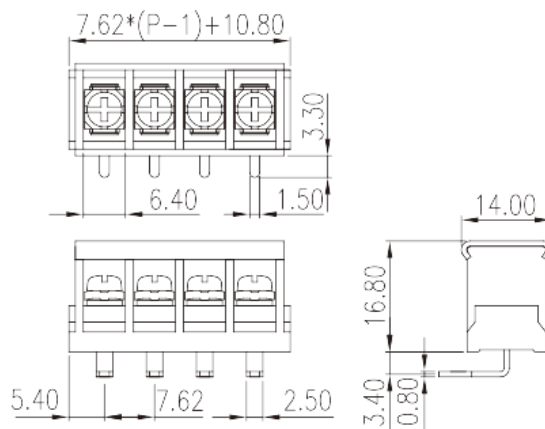
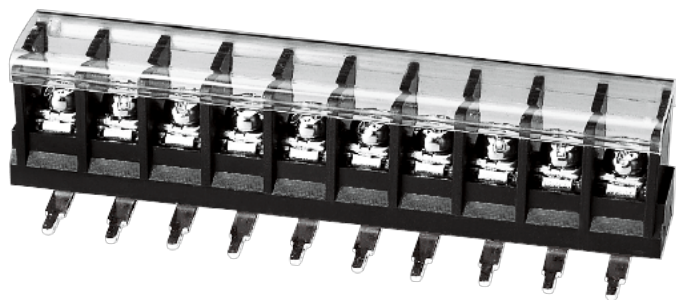


# DT-2G-B14W-XX

>

:2025-08-06 :1.1



Pitch: 7.62mm , M3, 300V, 15A

	Barrier terminal blocks , Screw connection
	Single Row
(mm)	7.62
	Black(default)
	Screw connection
	Without
( x ) (mm)	0.8X1.5
PCB (mm)	1.8~1.9
	Single Row
	PBT
	IIIa
UL 94	V0
	Copper Alloy
	Tinned

-IEC

(V)		630
(A)		24
(II/2)(V)		630
(III/2)(V)		630
(III/3)(V)		400
(II/2)(KV)		6
(III/2)(KV)		6
(III/3)(KV)		6
(mm <sup>2</sup> )		0.2
(mm <sup>2</sup> )		2.5
(mm <sup>2</sup> )		0.2
(mm <sup>2</sup> )		2.5
2	(mm <sup>2</sup> )	1.5
2	(mm <sup>2</sup> )	1.5
		M3
Width)(mm)	(Blade thickness x	0.8x4.0
Philips		PH2
(N.m)		0.8
(N.m)		0.5
(N.m)		0.8
		7~8

### -UL

(UL/CUL Group B)(V)		300
(UL/CUL Group B)(A)		15
(UL/CUL Group C)(V)		150
(UL/CUL Group C)(A)		15
(UL/CUL Group D)(V)		300
(UL/CUL Group D)(A)		10
UL/CUL	AWG	22
UL/CUL	AWG	14
UL/CUL	AWG	22
UL/CUL	AWG	14

&



(YES or NO)	YES
	120
	-40

## UL

(Group B)(AWG)	22~14
(Group B)(V)	300
(Group B)(A)	15
(Group C)(AWG)	22~14
(Group C)(V)	150
(Group C)(A)	15
(Group D)(AWG)	22~14
(Group D)(V)	300
(Group D)(A)	10

## CUL

(Group B)(AWG)	22~14
(Group B)(V)	300
(Group B)(A)	15
(Group C)(AWG)	22~14
(Group C)(V)	150
(Group C)(A)	15
(Group D)(AWG)	22~14
(Group D)(V)	300
(Group D)(A)	10

## VDE

(mm <sup>2</sup> )	0.2~2.5
(V)	630
(A)	24

--	--

