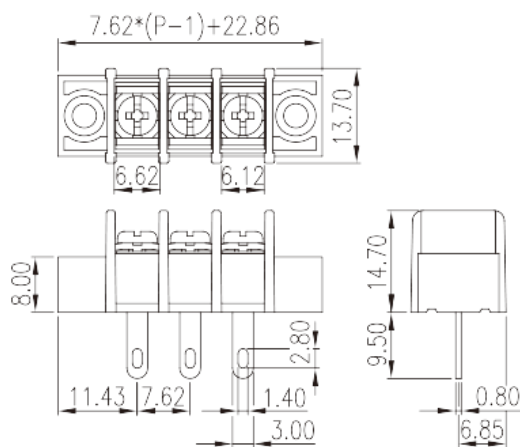
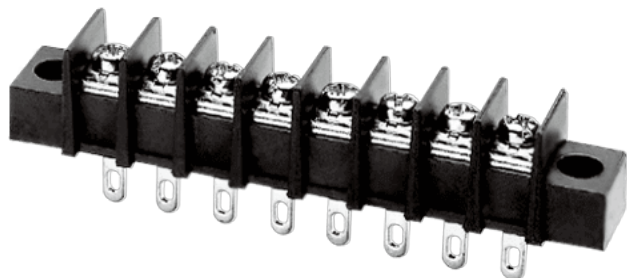


DT-25-A02W-XX

>

:2026-07-04

:1.1



Pitch: 7.62mm, M3, 300V, 15A

	Barrier terminal blocks, Screw connection
	Single Row
(mm)	7.62
	Black (default)
	Screw connection
	With mounting flange
	Wave Soldering
(mm)	$7.62 \times (P-1) + 22.86$
(mm)	13.70
(mm)	14.70
() x () (mm)	0.8x3.0
()	02P~31P
	Single Row
	PA66
	I
UL 94	V0



	500M at DC 500V
	COPPER ALLOY
	Tin PLATED

-IEC

(V)	320
(A)	17.5
(II/2)(V)	630
(III/2)(V)	320
(III/3)(V)	320
(II/2)(KV)	4
(III/2)(KV)	4
(III/3)(KV)	4
(mm ²)	0.34
(mm ²)	1.5
(mm ²)	0.34
(mm ²)	1.5
2 (mm ²)	1
2 (mm ²)	1
	M3
Width)(mm) (Blade thickness x	0.8x4.0
Philips	PH2
(N.m)	1.4
(N.m)	0.5
(N.m)	1.4
	6~7

-UL

(UL/CUL Group B)(V)	300
(UL/CUL Group B)(A)	15
(UL/CUL Group C)(V)	150
(UL/CUL Group C)(A)	15
(UL/CUL Group D)(V)	300
(UL/CUL Group D)(A)	10



UL/CUL	AWG	22
UL/CUL	AWG	14
UL/CUL	AWG	22
UL/CUL	AWG	14

&

(YES or NO)	YES
	120
	-40

UL

(Group B)(AWG)	22~14
(Group B)(V)	300
(Group B)(A)	15
(Group C)(AWG)	22~14
(Group C)(V)	150
(Group C)(A)	15
(Group D)(AWG)	22~14
(Group D)(V)	300
(Group D)(A)	10

CUL

(Group B)(AWG)	22~14
(Group B)(V)	300
(Group B)(A)	15
(Group C)(AWG)	22~14
(Group C)(V)	150
(Group C)(A)	15
(Group D)(AWG)	22~14
(Group D)(V)	300
(Group D)(A)	10

CSA

(AWG)	22~16
(V)	300

(A)

10

