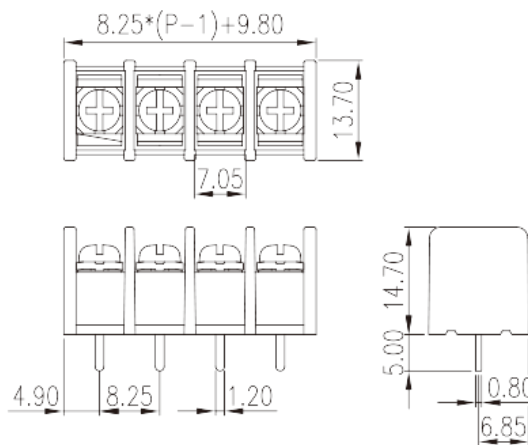
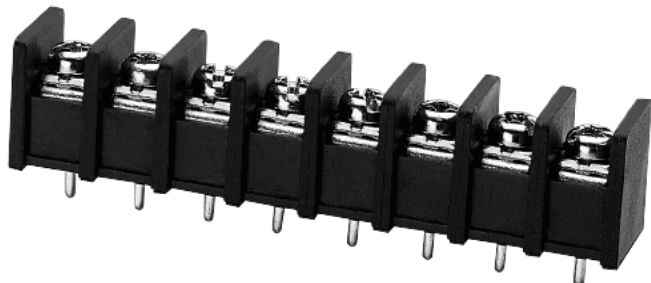


DT-35-B01W-XX

>

:2026-07-05 :1.1



Pitch: 8.25mm, M3, 300V, 20A

	Barrier terminal blocks, Screw connection
	Single Row
(mm)	8.25
	Black (default)
	Screw connection
	Without
	Wave Soldering
(mm)	$8.25 \times (P-1) + 9.8$
(mm)	13.70
(mm)	14.70
() x () (mm)	0.8x1.2
PCB (mm)	1.8~2.0
()	02P~32P
	Single Row
	PA66
	I

UL 94	V0
	500M at DC 500V
	Copper Alloy
	Tin PLATED

-IEC

(V)	630
(A)	24
(II/2)(V)	630
(III/2)(V)	630
(III/3)(V)	320
(II/2)(KV)	6
(III/2)(KV)	6
(III/3)(KV)	6
(mm ²)	0.2
(mm ²)	2.5
(mm ²)	0.2
(mm ²)	2.5
2 (mm ²)	1.5
2 (mm ²)	1.5
	M3
Width)(mm) (Blade thickness x	0.8x4.0
Philips	PH2
(N.m)	1.4
(N.m)	0.5
(N.m)	1.4
	7~8

-UL

(UL/CUL Group B)(V)	300
(UL/CUL Group B)(A)	20
(UL/CUL Group C)(V)	150
(UL/CUL Group C)(A)	20
(UL/CUL Group D)(V)	300



(UL/CUL Group D)(A)		10
UL/CUL	AWG	22
UL/CUL	AWG	12
UL/CUL	AWG	22
UL/CUL	AWG	12

&

(YES or NO)		YES
		120
		-40

UL

(Group B)(AWG)		22~12
(Group B)(V)		300
(Group B)(A)		20
(Group C)(AWG)		22~12
(Group C)(V)		150
(Group C)(A)		20
(Group D)(AWG)		22~12
(Group D)(V)		300
(Group D)(A)		10

CUL

(Group B)(AWG)		22~12
(Group B)(V)		300
(Group B)(A)		20
(Group C)(AWG)		22~12
(Group C)(V)		150
(Group C)(A)		20
(Group D)(AWG)		22~12
(Group D)(V)		300
(Group D)(A)		10

CSA

(AWG)		22~16
-------	--	-------

(V)	300
(A)	15

VDE

(mm ²)	0.2~2.5
(V)	630
(A)	24

