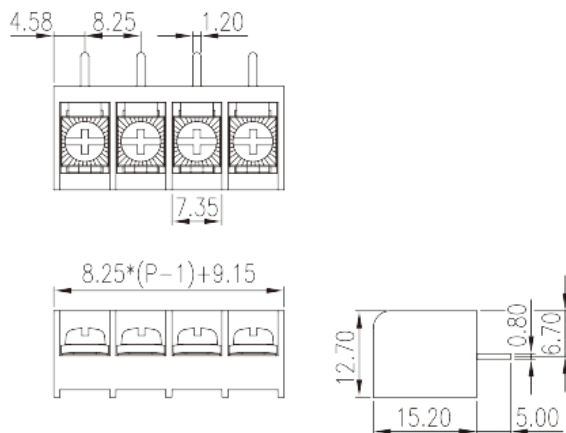
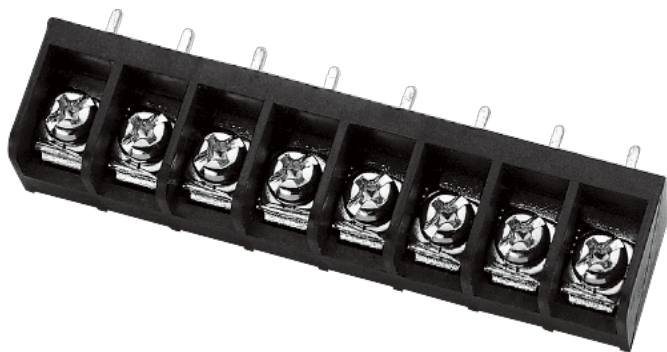


DT-39-B02W-XX

>

:2026-05-14 :1.1



Pitch: 8.25mm , #6-32, 300V, 20A

	Barrier terminal blocks, Screw connection
	Single Row
(mm)	8.25
	Black (default)
	Screw connection
	Without
(x) (mm)	0.8X1.2
PCB (mm)	1.7~1.8
	Single Row
	PA66
	I
UL 94	V0
	Copper Alloy
	Tin PLATED

-IEC

(A)		24
(II/2)(V)		630
(III/2)(V)		320
(III/3)(V)		320
(II/2)(KV)		4
(III/2)(KV)		4
(III/3)(KV)		4
(mm ²)		0.2
(mm ²)		2.5
(mm ²)		0.2
(mm ²)		2.5
2	(mm ²)	1.5
2	(mm ²)	1.5
		#6-32
Width)(mm)	(Blade thickness x	0.8x4.0
Philips		PH2
	(N.m)	1.4
	(N.m)	0.8
	(N.m)	1.4
		8~9

-UL

(UL/CUL Group B)(V)		300
(UL/CUL Group B)(A)		20
(UL/CUL Group D)(V)		300
(UL/CUL Group D)(A)		10
UL/CUL	AWG	22
UL/CUL	AWG	12
UL/CUL	AWG	22
UL/CUL	AWG	12

&

(YES or NO)		YES
		120

-40

UL

(Group B) (AWG)	22~12
(Group B) (V)	300
(Group B) (A)	20
(Group C) (AWG)	22~12
(Group D) (AWG)	22~12
(Group D) (V)	300
(Group D) (A)	10

CUL

(Group B) (AWG)	22~12
(Group B) (V)	300
(Group B) (A)	20
(Group C) (AWG)	22~12
(Group D) (AWG)	22~12
(Group D) (V)	300
(Group D) (A)	10

VDE

(mm ²)	0.2~2.5
(A)	24

