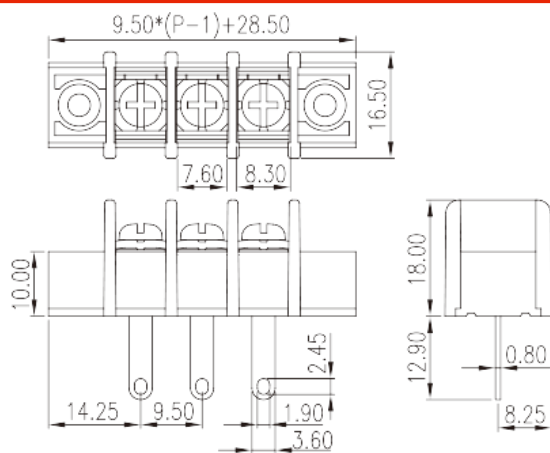
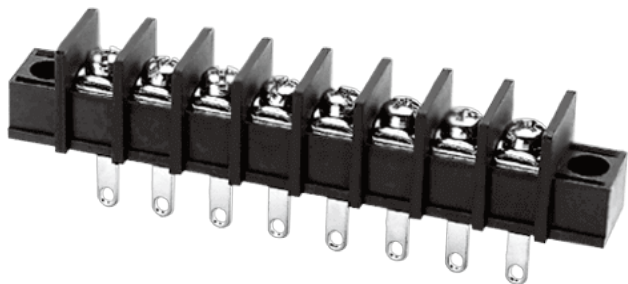


DT-45-A02W-XX

>

:2026-07-04 :1.1



Pitch: 9.50mm, M3.5, 300V, 25A

	Barrier terminal blocks, Screw connection
	Single Row
(mm)	9.50
	Black (default)
	Screw connection
	With mounting flange
(x) (mm)	0.8X3.6
	Single Row
	PA
	I
UL 94	V0
	Copper Alloy
	Tinned
-IEC	
(A)	24



(II/2)(V)		1000
(III/2)(V)		630
(III/3)(V)		400
(II/2)(KV)		6
(III/2)(KV)		6
(III/3)(KV)		6
(mm ²)		0.34
(mm ²)		2.5
(mm ²)		0.34
(mm ²)		2.5
2	(mm ²)	1.5
2	(mm ²)	1.5
		M3.5
Width)(mm)	(Blade thickness x	0.8x4.0
Philips		PH2
(N.m)		1.4
(N.m)		0.8
(N.m)		1.4
		8~9

-UL

(UL/CUL Group B)(V)		300
(UL/CUL Group B)(A)		25
(UL/CUL Group C)(V)		150
(UL/CUL Group C)(A)		25
(UL/CUL Group D)(V)		300
(UL/CUL Group D)(A)		10
UL/CUL	AWG	22
UL/CUL	AWG	12
UL/CUL	AWG	22
UL/CUL	AWG	12

&

(YES or NO)		YES
-------------	--	-----



	120
	-40

UL

(Group B)(AWG)	22~12
(Group B)(V)	300
(Group B)(A)	25
(Group C)(AWG)	22~12
(Group C)(V)	150
(Group C)(A)	25
(Group D)(AWG)	22~12
(Group D)(V)	300
(Group D)(A)	10

CUL

(Group B)(AWG)	22~12
(Group B)(V)	300
(Group B)(A)	25
(Group C)(AWG)	22~12
(Group C)(V)	150
(Group C)(A)	25
(Group D)(AWG)	22~12
(Group D)(V)	300
(Group D)(A)	10

VDE

(mm ²)	0.34~2.5
(A)	24

--	--

