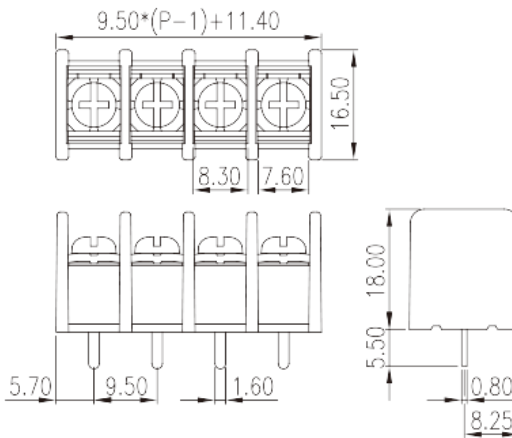
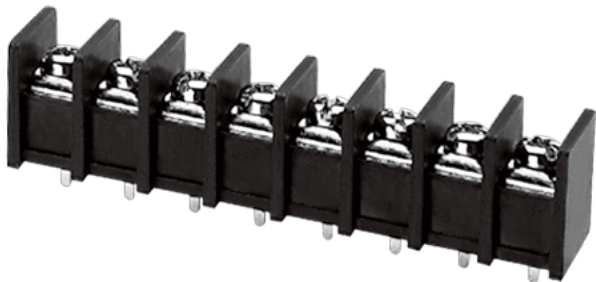


DT-45-B01W-XX

>

:2026-07-04 :1.1



Pitch: 9.50mm , M3.5, 300V, 25A

| | |
|------------|--|
| | Barrier terminal blocks , Screw connection |
| | Single Row |
| (mm) | 9.50 |
| | Black(default) |
| | Screw connection |
| | Without |
| (x) (mm) | 0.8X1.6 |
| PCB (mm) | 2.0~2.1 |
| | Single Row |
| | PA66 |
| | I |
| UL 94 | V0 |
| | Copper Alloy |
| | Tinned |

-IEC

| | | |
|--------------------|--------------------|---------|
| (A) | | 24 |
| (II/2)(V) | | 1000 |
| (III/2)(V) | | 630 |
| (III/3)(V) | | 400 |
| (II/2)(KV) | | 6 |
| (III/2)(KV) | | 6 |
| (III/3)(KV) | | 6 |
| (mm ²) | | 0.34 |
| (mm ²) | | 2.5 |
| (mm ²) | | 0.34 |
| (mm ²) | | 2.5 |
| 2 | (mm ²) | 1.5 |
| 2 | (mm ²) | 1.5 |
| | | M3.5 |
| Width)(mm) | (Blade thickness x | 0.8x4.0 |
| Philips | | PH2 |
| (N.m) | | 1.4 |
| (N.m) | | 0.8 |
| (N.m) | | 1.4 |
| | | 8~9 |

-UL

| | | |
|---------------------|-----|-----|
| (UL/CUL Group B)(V) | | 300 |
| (UL/CUL Group B)(A) | | 25 |
| (UL/CUL Group C)(V) | | 150 |
| (UL/CUL Group C)(A) | | 25 |
| (UL/CUL Group D)(V) | | 300 |
| (UL/CUL Group D)(A) | | 10 |
| UL/CUL | AWG | 22 |
| UL/CUL | AWG | 12 |
| UL/CUL | AWG | 22 |
| UL/CUL | AWG | 12 |

&



| | |
|-------------|-----|
| (YES or NO) | YES |
| | 115 |
| | -40 |

UL

| | |
|----------------|-------|
| (Group B)(AWG) | 22~12 |
| (Group B)(V) | 300 |
| (Group B)(A) | 25 |
| (Group C)(AWG) | 22~12 |
| (Group C)(V) | 150 |
| (Group C)(A) | 25 |
| (Group D)(AWG) | 22~12 |
| (Group D)(V) | 300 |
| (Group D)(A) | 10 |

CUL

| | |
|----------------|-------|
| (Group B)(AWG) | 22~12 |
| (Group B)(V) | 300 |
| (Group B)(A) | 25 |
| (Group C)(AWG) | 22~12 |
| (Group C)(V) | 150 |
| (Group C)(A) | 25 |
| (Group D)(AWG) | 22~12 |
| (Group D)(V) | 300 |
| (Group D)(A) | 10 |

VDE

| | |
|--------------------|----------|
| (mm ²) | 0.34~2.5 |
| (A) | 24 |

| | |
|--|--|
| | |
|--|--|

