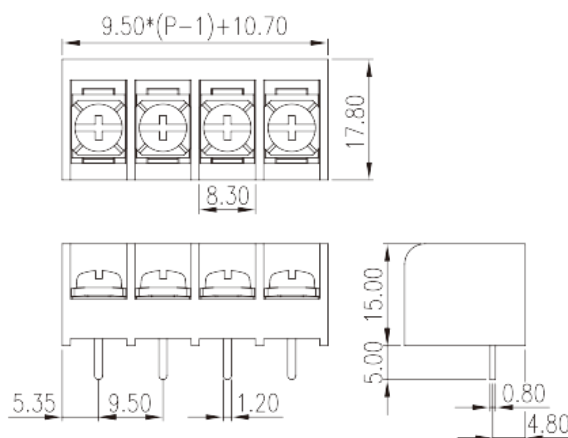
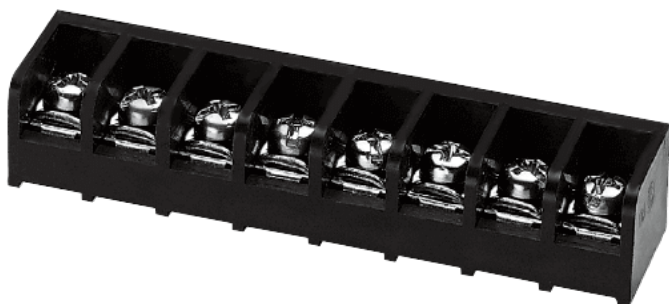


# DT-49-B01W-XX

>

:2025-08-06 :1.1



Pitch: 9.50mm , #6-32, 300V, 25A

	Barrier terminal blocks , Screw connection
	Single Row
(mm)	9.50
	Black(default)
	Screw connection
	Without
( x ) (mm)	0.8X1.2
PCB (mm)	1.6~1.7
	Single Row
	PA66
	I
UL 94	V0
	Copper Alloy
	Tinned

-IEC

(V)		1000
(A)		24
(II/2)(V)		1000
(III/2)(V)		630
(III/3)(V)		630
(II/2)(KV)		6
(III/2)(KV)		6
(III/3)(KV)		6
(mm <sup>2</sup> )		0.5
(mm <sup>2</sup> )		4
(mm <sup>2</sup> )		0.5
(mm <sup>2</sup> )		2.5
2	(mm <sup>2</sup> )	2.5
2	(mm <sup>2</sup> )	2.5
		#6-32
Width)(mm)	(Blade thickness x	0.8x4
Philips		PH2
	(N.m)	0.8
	(N.m)	1
		12~13

### -UL

(UL/CUL Group B)(V)		300
(UL/CUL Group B)(A)		25
(UL/CUL Group D)(V)		300
(UL/CUL Group D)(A)		10
UL/CUL	AWG	22
UL/CUL	AWG	12
UL/CUL	AWG	22
UL/CUL	AWG	12

### &

(YES or NO)		YES
		105

-40

**UL**

(Group B)(AWG)	22~12
(Group B)(V)	300
(Group B)(A)	25
(Group D)(AWG)	22~12
(Group D)(V)	300
(Group D)(A)	10

**CUL**

(Group B)(AWG)	22~12
(Group B)(V)	300
(Group B)(A)	25
(Group D)(AWG)	22~12
(Group D)(V)	300
(Group D)(A)	10

**VDE**

(mm <sup>2</sup> )	0.5~4(sol) 0.5~2.5(str)
(V)	1000
(A)	24

