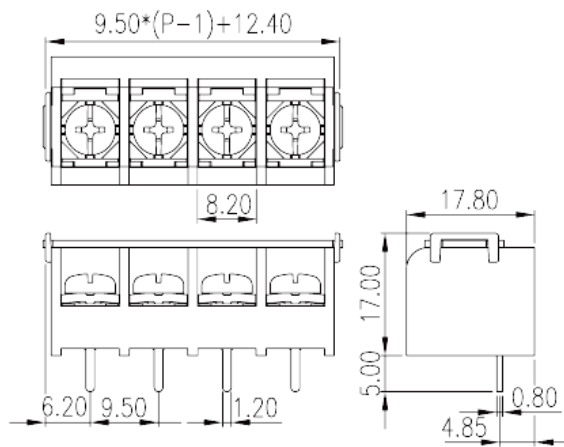
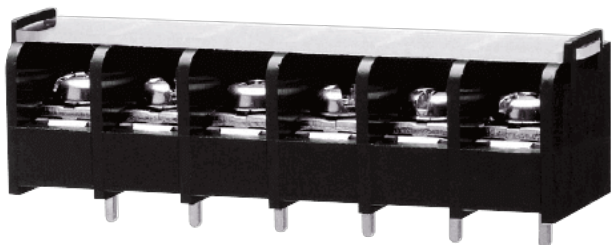


# DT-49-C01W-XX

>

:2026-07-05 :1.1



Pitch: 9.50mm , #6-32, 300V, 25A

	Barrier terminal blocks , Screw connection
	Single Row
(mm)	9.50
	Black(default)
	Screw connection
	Without
( x ) (mm)	0.8X1.2
PCB (mm)	1.6~1.7
	Single Row
	PA66
	I
UL 94	V0
	Copper Alloy
	Tinned

-IEC



(A)		32
(II/2)(V)		1000
(III/2)(V)		630
(III/3)(V)		400
(II/2)(KV)		6
(III/2)(KV)		6
(III/3)(KV)		6
(mm <sup>2</sup> )		0.34
(mm <sup>2</sup> )		4
(mm <sup>2</sup> )		0.34
(mm <sup>2</sup> )		2.5
2	(mm <sup>2</sup> )	1.5
2	(mm <sup>2</sup> )	1.5
		#6-32
Width)(mm)	(Blade thickness x	0.8x4.0
Philips		PH2
	(N.m)	1.4
	(N.m)	0.8
	(N.m)	1.4
		8~9

**-UL**

(UL/CUL Group B)(V)		300
(UL/CUL Group B)(A)		25
(UL/CUL Group D)(V)		300
(UL/CUL Group D)(A)		10
UL/CUL	AWG	22
UL/CUL	AWG	12
UL/CUL	AWG	22
UL/CUL	AWG	12

**&**

(YES or NO)		YES
		11.005

-40

**UL**

(Group B) (AWG)	22~12
(Group B) (V)	300
(Group B) (A)	25
(Group C) (AWG)	22~12
(Group D) (AWG)	22~12
(Group D) (V)	300
(Group D) (A)	10

**CUL**

(Group B) (AWG)	22~12
(Group B) (V)	300
(Group B) (A)	25
(Group C) (AWG)	22~12
(Group D) (AWG)	22~12
(Group D) (V)	300
(Group D) (A)	10

**VDE**

(mm <sup>2</sup> )	0.34~4
(A)	32

