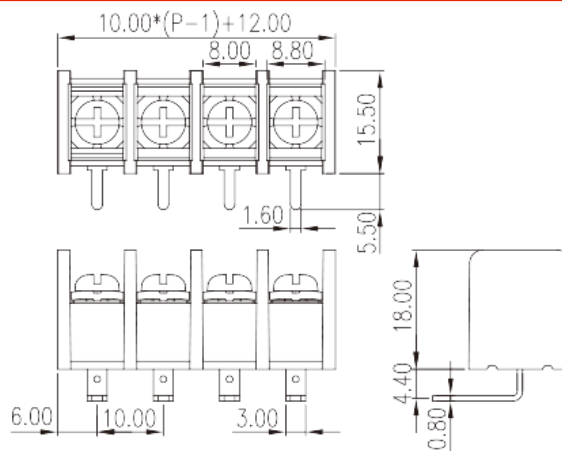
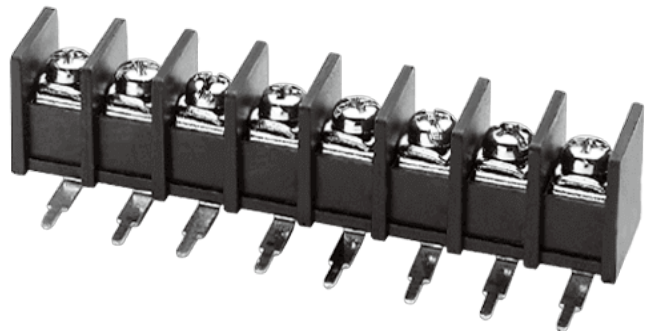


# DT-55-B14W-XX

>

:2026-07-05 :1.1



Pitch: 10.00mm, M3.5, 300V, 25A

	Barrier terminal blocks, Screw connection
	Single Row
(mm)	10.00
	Black (default)
	Screw connection
	Without
(    x    ) (mm)	0.8X1.6
PCB (mm)	2.3
	Single Row
	PA
	I
UL 94	V0
	Copper Alloy
	Tinned

-IEC

(A)		24
(II/2)(V)		1000
(III/2)(V)		630
(III/3)(V)		400
(II/2)(KV)		6
(III/2)(KV)		6
(III/3)(KV)		6
(mm <sup>2</sup> )		0.34
(mm <sup>2</sup> )		2.5
(mm <sup>2</sup> )		0.34
(mm <sup>2</sup> )		2.5
2	(mm <sup>2</sup> )	1.5
2	(mm <sup>2</sup> )	1.5
		M3.5
Width)(mm)	(Blade thickness x	0.8x4.0
Philips		PH2
(N.m)		1.8
(N.m)		0.8
(N.m)		1.8
		8~9

### -UL

(UL/CUL Group B)(V)		300
(UL/CUL Group B)(A)		25
(UL/CUL Group C)(V)		150
(UL/CUL Group C)(A)		25
(UL/CUL Group D)(V)		300
(UL/CUL Group D)(A)		10
UL/CUL	AWG	22
UL/CUL	AWG	12
UL/CUL	AWG	22
UL/CUL	AWG	12

&



(YES or NO)	YES
	120
	-40

## UL

(Group B)(AWG)	22~12
(Group B)(V)	300
(Group B)(A)	25
(Group C)(AWG)	22~12
(Group C)(V)	150
(Group C)(A)	25
(Group D)(AWG)	22~12
(Group D)(V)	300
(Group D)(A)	10

## CUL

(Group B)(AWG)	22~12
(Group B)(V)	300
(Group B)(A)	25
(Group C)(AWG)	22~12
(Group C)(V)	150
(Group C)(A)	25
(Group D)(AWG)	22~12
(Group D)(V)	300
(Group D)(A)	10

## VDE

(mm <sup>2</sup> )	0.34~2.5
(A)	24

--	--

