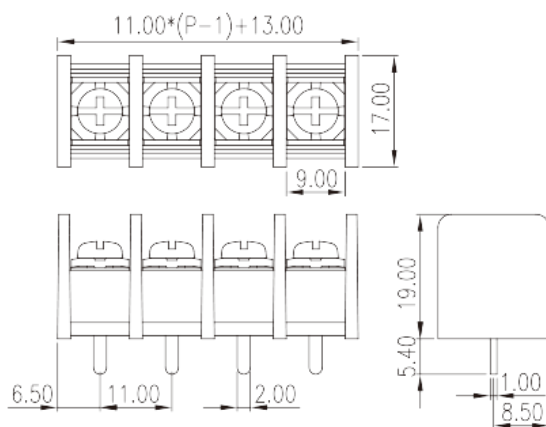
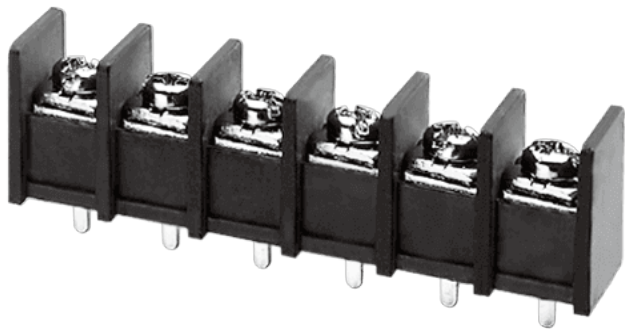


# DT-65-B01W-XX

>

:2026-07-05 :1.1



Pitch: 11.00mm , M4, 300V, 25A

	Barrier terminal blocks, Screw connection
	Single Row
(mm)	11.00
	Black(default)
	Screw connection
	Without
( x ) (mm)	1.0X2.0
PCB (mm)	1.2x3.4
	Single Row
	PA66
	I
UL 94	V0
	Copper Alloy
	Tinned

-IEC



(A)		32
(II/2)(V)		1000
(III/2)(V)		630
(III/3)(V)		500
(II/2)(KV)		6
(III/2)(KV)		6
(III/3)(KV)		6
(mm <sup>2</sup> )		0.34
(mm <sup>2</sup> )		4
(mm <sup>2</sup> )		0.34
(mm <sup>2</sup> )		4
2	(mm <sup>2</sup> )	2.5
2	(mm <sup>2</sup> )	2.5
		M4
Width)(mm)	(Blade thickness x	1.0x5.5
Philips		PH2
(N.m)		1.8
(N.m)		1.2
(N.m)		1.8
		11~12

**-UL**

(UL/CUL Group B)(V)		300
(UL/CUL Group B)(A)		25
(UL/CUL Group C)(V)		150
(UL/CUL Group C)(A)		25
(UL/CUL Group D)(V)		300
(UL/CUL Group D)(A)		10
UL/CUL	AWG	22
UL/CUL	AWG	12
UL/CUL	AWG	22
UL/CUL	AWG	12

**&**



(YES or NO)	YES
	120
	-40

### UL

(Group B)(AWG)	22~12
(Group B)(V)	300
(Group B)(A)	25
(Group C)(AWG)	22~12
(Group C)(V)	150
(Group C)(A)	25
(Group D)(AWG)	22~12
(Group D)(V)	300
(Group D)(A)	10

### CUL

(Group B)(AWG)	22~12
(Group B)(V)	300
(Group B)(A)	25
(Group C)(AWG)	22~12
(Group C)(V)	150
(Group C)(A)	25
(Group D)(AWG)	22~12
(Group D)(V)	300
(Group D)(A)	10

### VDE

(mm <sup>2</sup> )	0.34~4
(A)	32

--	--

