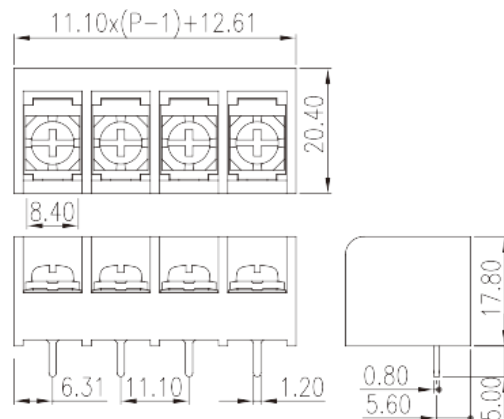


DT-69-B01W-XX

>

:2026-07-05

:1.1



Pitch: 11.10mm, M4, 300V, 30A

	Barrier terminal blocks, Screw connection
	Single Row
(mm)	11.10
	Black (default)
	Screw connection
	Without
(x) (mm)	0.8X1.2
PCB (mm)	1.8
	Single Row
	PA66
	I
UL 94	V0
	Copper Alloy
	Tinned

-IEC



(A)		32
(II/2)(V)		1000
(III/2)(V)		630
(III/3)(V)		500
(II/2)(KV)		6
(III/2)(KV)		6
(III/3)(KV)		6
(mm ²)		0.5
(mm ²)		4
(mm ²)		0.5
(mm ²)		4
2	(mm ²)	2.5
2	(mm ²)	2.5
		M4
Width)(mm)	(Blade thickness x	1.0x5.5
Philips		PH2
(N.m)		1.8
(N.m)		1.2
(N.m)		1.8
		7~8

-UL

(UL/CUL Group B)(V)		300
(UL/CUL Group B)(A)		30
(UL/CUL Group C)(V)		150
(UL/CUL Group C)(A)		30
(UL/CUL Group D)(V)		300
(UL/CUL Group D)(A)		10
UL/CUL	AWG	22
UL/CUL	AWG	10
UL/CUL	AWG	22
UL/CUL	AWG	10

&



(YES or NO)	YES
	120
	-40

UL

(Group B)(AWG)	22~10
(Group B)(V)	300
(Group B)(A)	30
(Group C)(AWG)	22~10
(Group C)(V)	150
(Group C)(A)	30
(Group D)(AWG)	22~10
(Group D)(V)	300
(Group D)(A)	10

CUL

(Group B)(AWG)	22~10
(Group B)(V)	300
(Group B)(A)	30
(Group C)(AWG)	22~10
(Group C)(V)	150
(Group C)(A)	30
(Group D)(AWG)	22~10
(Group D)(V)	300
(Group D)(A)	10

--	--

