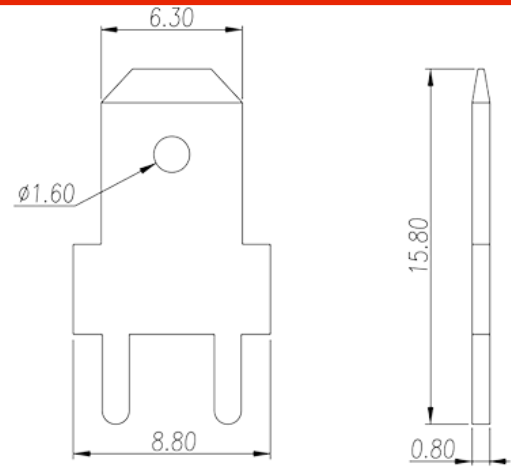


P-850

>

:2026-07-04

:1.2



Pitch : 5.00 mm, 0.8x1.2mm, 32A

	Barrier terminal blocks, Quick terminal blocks
	Quick terminal blocks
(mm)	5.00
(x) (mm)	0.8x1.2
	COPPER ALLOY
	Tin PLATED

VDE

(A)	32
-----	----

