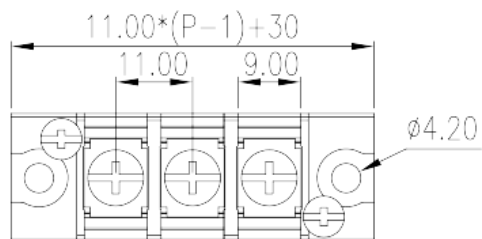
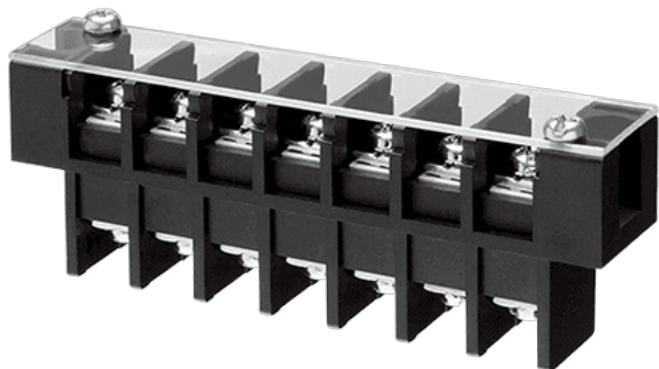


0168-24XX

>

:2026-05-14 :1.1



Pitch: 11mm , M4, 300V, 30A

	Barrier terminal blocks , Screw connection
	Panel Feed Through Terminal Blocks
(mm)	11
	Black(default)
	Screw connection
	With mounting flange
	Single level
	PBT
	IIIa
UL 94	V0
	Copper Alloy
	Tinned
-IEC	
(A)	41
(II/2)(V)	630



(III/2)(V)		600
(III/3)(V)		400
(II/2)(KV)		6
(III/2)(KV)		6
(III/3)(KV)		6
(mm ²)		0.34
(mm ²)		6
(mm ²)		0.34
(mm ²)		6
2	(mm ²)	4
2	(mm ²)	4
		M4
Width)(mm)	(Blade thickness x	1.0x5.5
Philips		PH2
(N.m)		1.8
(N.m)		1.2
(N.m)		1.8
		8

-UL

(UL/CUL Group B)(V)		300
(UL/CUL Group B)(A)		30
UL/CUL	AWG	22
UL/CUL	AWG	10
UL/CUL	AWG	22
UL/CUL	AWG	10

&

(YES or NO)		YES
		130
		-40

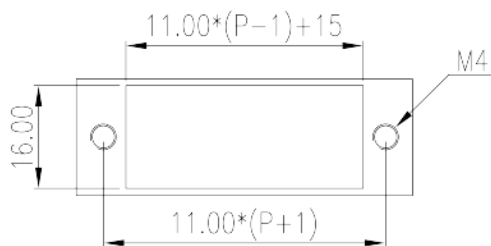
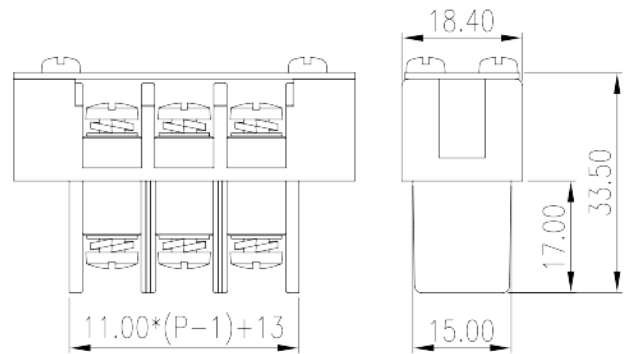
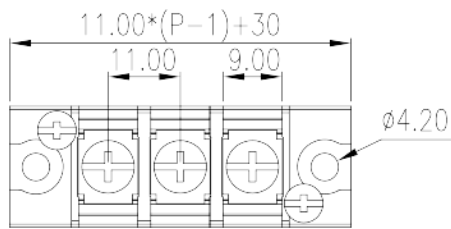
UL

(Group B)(AWG)		22~10
----------------	--	-------

(Group B)(V)	300
(Group B)(A)	30

CUL

(Group B)(AWG)	22~10
(Group B)(V)	300
(Group B)(A)	30





Delight Through Connections