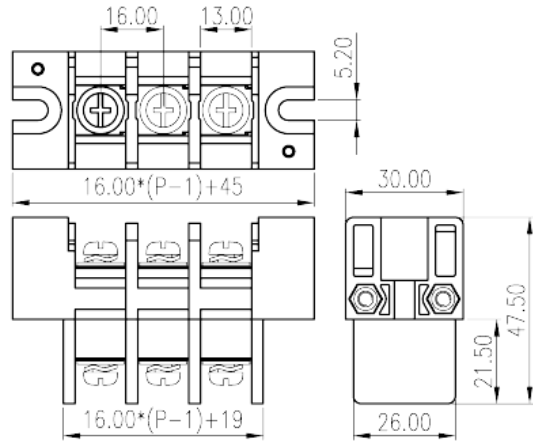
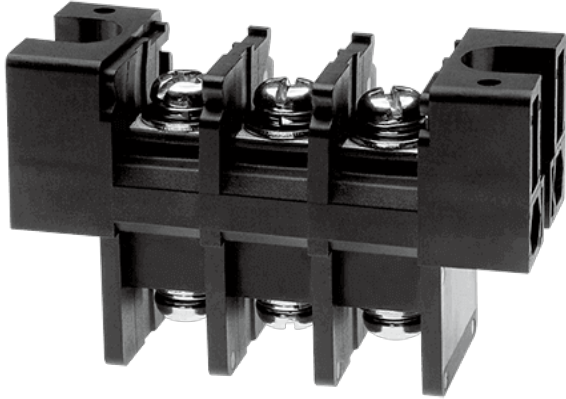


# 0168-41XX

&gt;

:2026-07-04

:1.1



Pitch: 16mm , M5, 600V, 115A

	Barrier terminal blocks , Screw connection
	Panel Feed Through Terminal Blocks
(mm)	16
	Black(default)
	Screw connection
	With mounting flange
	Single level
	PBT
	IIIa
UL 94	V0
	Copper Alloy
	Tinned
<b>-IEC</b>	
(V)	1000
(A)	76

(II/2)(V)		1000
(III/2)(V)		1000
(III/3)(V)		1000
(II/2)(KV)		8
(III/2)(KV)		8
(III/3)(KV)		8
(mm <sup>2</sup> )		2.5
(mm <sup>2</sup> )		16
(mm <sup>2</sup> )		2.5
(mm <sup>2</sup> )		16
2	(mm <sup>2</sup> )	10
2	(mm <sup>2</sup> )	10
		M5
Width)(mm)	(Blade thickness x	1.0x5.5
Philips		PH2
(N.m)		2.5
(N.m)		2
(N.m)		2.5
		13

### -UL

(UL/CUL Group B)(V)		600
(UL/CUL Group B)(A)		115
(UL/CUL Group C)(V)		600
(UL/CUL Group C)(A)		115
UL/CUL	AWG	14
UL/CUL	AWG	2
UL/CUL	AWG	14
UL/CUL	AWG	2

### &

(YES or NO)		YES
		120
		-40

## UL

(Group B)(AWG)	14~2
(Group B)(V)	600
(Group B)(A)	115
(Group C)(AWG)	14~2
(Group C)(V)	600
(Group C)(A)	115

## CUL

(Group B)(AWG)	14~2
(Group B)(V)	600
(Group B)(A)	115
(Group C)(AWG)	14~2
(Group C)(V)	600
(Group C)(A)	115

## VDE

(mm <sup>2</sup> )	2.5~16
(V)	1000
(A)	76

