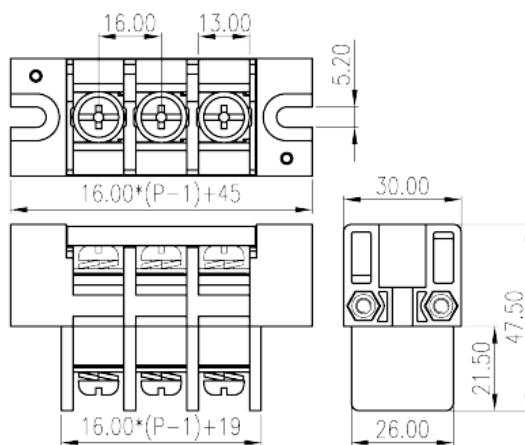
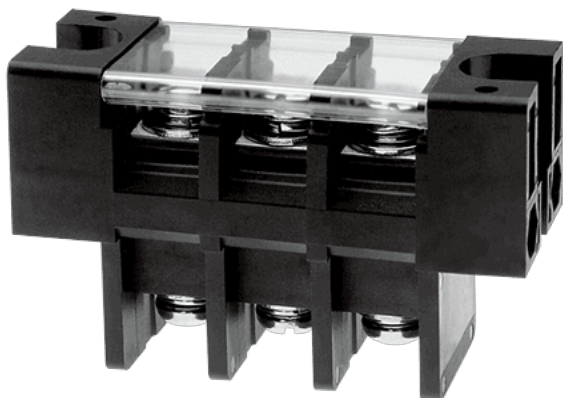


# 0168-42XX

>

:2026-07-04 :1.1



Pitch: 16mm, M6, 600V, 115A

	Barrier terminal blocks, Screw connection
	Panel Feed Through Terminal Blocks
(mm)	16
	Black (default)
	Screw connection
	With mounting flange
	Single level
	PBT
	IIIa
UL 94	V0
	Copper Alloy
	Tinned
<b>-IEC</b>	
(A)	125
(II/2)(V)	1000

(III/2)(V)		1000
(III/3)(V)		1000
(II/2)(KV)		8
(III/2)(KV)		8
(III/3)(KV)		8
(mm <sup>2</sup> )		2.5
(mm <sup>2</sup> )		35
(mm <sup>2</sup> )		2.5
(mm <sup>2</sup> )		35
2	(mm <sup>2</sup> )	35
2	(mm <sup>2</sup> )	35
		M6
Width)(mm)	(Blade thickness x	1.2x6.5
Philips		PH3
(N.m)		2.5
(N.m)		2.5
(N.m)		3
		The stripping length depends on the specification provided by the cablelug manufacturer.

### -UL

(UL/CUL Group B)(V)		600
(UL/CUL Group B)(A)		115
(UL/CUL Group C)(V)		600
(UL/CUL Group C)(A)		115
UL/CUL	AWG	14
UL/CUL	AWG	2
UL/CUL	AWG	14
UL/CUL	AWG	2

### &

(YES or NO)		YES
		130
		-40

## UL

(Group B) (AWG)	14~2
(Group B) (V)	600
(Group B) (A)	115
(Group C) (AWG)	14~2
(Group C) (V)	600
(Group C) (A)	115

## CUL

(Group B) (AWG)	14~2
(Group B) (V)	600
(Group B) (A)	115
(Group C) (AWG)	14~2
(Group C) (V)	600
(Group C) (A)	115

