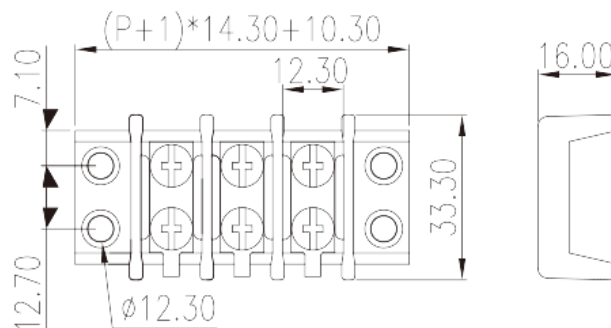


0113-10XX

>

:2026-07-04 :1.1



Pitch: 14.3mm , M4, 600V, 35A

	Barrier terminal blocks, Screw connection
	Panel mounting terminal blocks
(mm)	14.30
	Black (default)
	Screw connection
	Without
	Single Row
	PBT
	IIIa
UL 94	V0
	Copper Alloy
	Tinned
-IEC	
(V)	1000
(A)	32



(II/2)(V)		1000
(III/2)(V)		630
(III/3)(V)		630
(II/2)(KV)		6
(III/2)(KV)		6
(III/3)(KV)		6
(mm ²)		0.75
(mm ²)		4
(mm ²)		0.75
(mm ²)		4
2	(mm ²)	1.5
2	(mm ²)	1.5
		M4
Width)(mm)	(Blade thickness x	1.0x5.5
Philips		PH2
(N.m)		1.8
(N.m)		1.2
(N.m)		1.8
		9

-UL

(UL/CUL Group C)(V)		600
(UL/CUL Group C)(A)		35
UL/CUL	AWG	18
UL/CUL	AWG	10
UL/CUL	AWG	18
UL/CUL	AWG	10

&

(YES or NO)		YES
		130
		-40

UL

--	--	--

(Group C) (AWG)	18~10
(Group C) (V)	600
(Group C) (A)	35

CUL

(Group C) (AWG)	18~10
(Group C) (V)	600
(Group C) (A)	35

