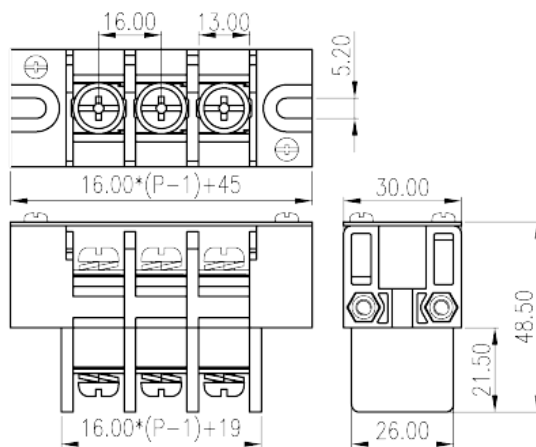
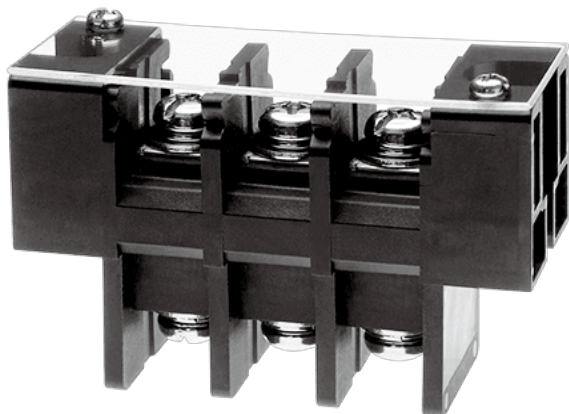


0168-45XX

>

:2026-07-04 :1.1



Pitch: 16mm, M6, 600V, 115A

| | |
|-------------|---|
| | Barrier terminal blocks, Screw connection |
| | Panel Feed Through Terminal Blocks |
| (mm) | 16 |
| | Black (default) |
| | Screw connection |
| | With mounting flange |
| | Single level |
| | PBT |
| | IIIa |
| UL 94 | V0 |
| | Copper Alloy |
| | Tinned |
| -IEC | |
| (A) | 125 |
| (II/2)(V) | 1000 |

| | | |
|--------------------|--------------------|--|
| (III/2)(V) | | 1000 |
| (III/3)(V) | | 1000 |
| (II/2)(KV) | | 8 |
| (III/2)(KV) | | 8 |
| (III/3)(KV) | | 8 |
| (mm ²) | | 2.5 |
| (mm ²) | | 35 |
| (mm ²) | | 2.5 |
| (mm ²) | | 35 |
| 2 | (mm ²) | 35 |
| 2 | (mm ²) | 35 |
| | | M6 |
| Width)(mm) | (Blade thickness x | 1.2x6.5 |
| Philips | | PH3 |
| (N.m) | | 2.5 |
| (N.m) | | 2.5 |
| (N.m) | | 3 |
| | | The stripping length depends on the specification provided by the cablelug manufacturer. |

-UL

| | | |
|---------------------|-----|-----|
| (UL/CUL Group B)(V) | | 600 |
| (UL/CUL Group B)(A) | | 115 |
| (UL/CUL Group C)(V) | | 600 |
| (UL/CUL Group C)(A) | | 115 |
| UL/CUL | AWG | 14 |
| UL/CUL | AWG | 2 |
| UL/CUL | AWG | 14 |
| UL/CUL | AWG | 2 |

&

| | | |
|-------------|--|-----|
| (YES or NO) | | YES |
| | | 130 |
| | | -40 |

UL

| | |
|-----------------|------|
| (Group B) (AWG) | 14~2 |
| (Group B) (V) | 600 |
| (Group B) (A) | 115 |
| (Group C) (AWG) | 14~2 |
| (Group C) (V) | 600 |
| (Group C) (A) | 115 |

CUL

| | |
|-----------------|------|
| (Group B) (AWG) | 14~2 |
| (Group B) (V) | 600 |
| (Group B) (A) | 115 |
| (Group C) (AWG) | 14~2 |
| (Group C) (V) | 600 |
| (Group C) (A) | 115 |

