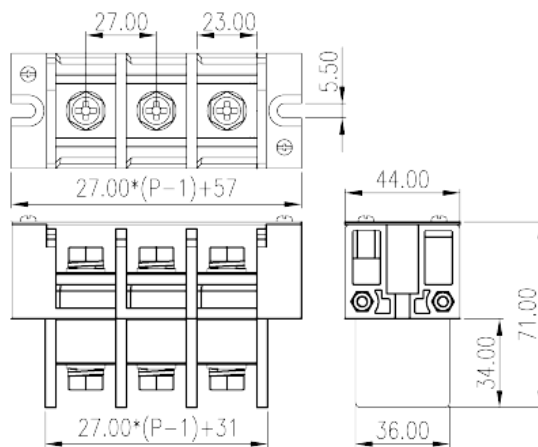
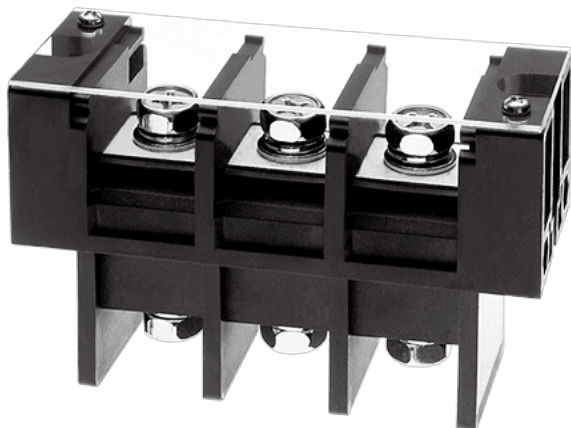


0168-65XX

>

:2026-07-04 :1.1



Pitch: 27mm , M8, 600V, 175A

| | |
|-----------|--|
| | Barrier terminal blocks , Screw connection |
| | Panel Feed Through Terminal Blocks |
| (mm) | 27 |
| | Black(default) |
| | Screw connection |
| | With mounting flange |
| | Single level |
| | PBT |
| | IIIa |
| UL 94 | V0 |
| | Copper Alloy |
| | Tinned |
| | -IEC |
| (A) | 192 |
| (II/2)(V) | 800 |



| | | |
|--------------------|--------------------|----------|
| (III/2)(V) | | 800 |
| (III/3)(V) | | 500 |
| (II/2)(KV) | | 8 |
| (III/2)(KV) | | 8 |
| (III/3)(KV) | | 8 |
| (mm ²) | | 6 |
| (mm ²) | | 70 |
| (mm ²) | | 6 |
| (mm ²) | | 70 |
| 2 | (mm ²) | 50 |
| 2 | (mm ²) | 50 |
| | | M8 |
| Philips | | PH3, #13 |
| | (N.m) | 3.5 |
| | (N.m) | 4.2 |
| | | 22 |

-UL

| | | |
|---------------------|-----|-----|
| (UL/CUL Group B)(V) | | 600 |
| (UL/CUL Group B)(A) | | 175 |
| (UL/CUL Group C)(V) | | 600 |
| (UL/CUL Group C)(A) | | 175 |
| UL/CUL | AWG | 10 |
| UL/CUL | AWG | 2/0 |
| UL/CUL | AWG | 10 |
| UL/CUL | AWG | 2/0 |

&

| | | |
|-------------|--|-----|
| (YES or NO) | | YES |
| | | 130 |
| | | -40 |

UL

| | | |
|----------------|--|--------|
| (Group B)(AWG) | | 10~2/0 |
| (Group B)(V) | | 600 |

| | |
|-----------------|--------|
| (Group B) (A) | 175 |
| (Group C) (AWG) | 10~2/0 |
| (Group C) (V) | 600 |
| (Group C) (A) | 175 |

CUL

| | |
|-----------------|--------|
| (Group B) (AWG) | 10~2/0 |
| (Group B) (V) | 600 |
| (Group B) (A) | 175 |
| (Group C) (AWG) | 10~2/0 |
| (Group C) (V) | 600 |
| (Group C) (A) | 175 |

