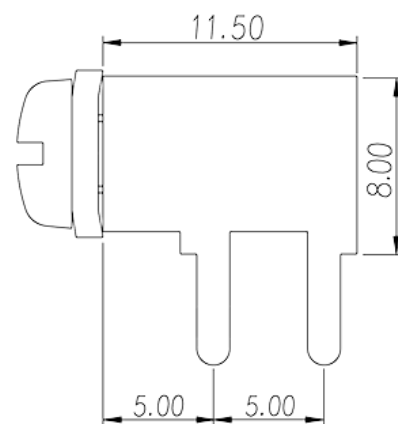
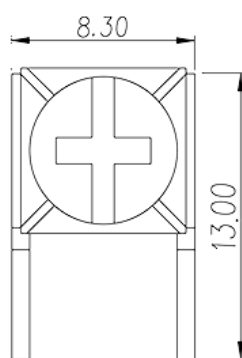
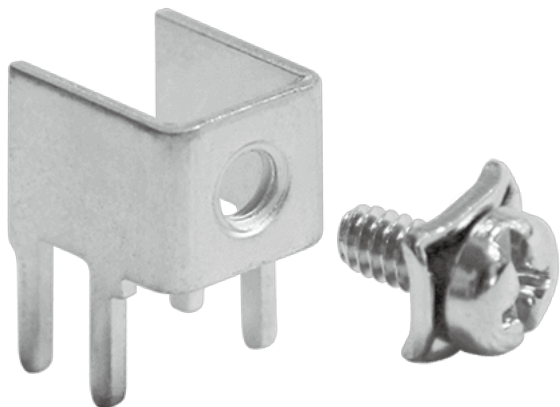


P-810W

>

:2026-07-04 :1.2



Pin size:0.8x1.5mm, 80A

	Barrier terminal blocks, Quick terminal blocks
	Quick terminal blocks
(x) (mm)	0.8x1.5
	COPPER ALLOY
	Tin PLATED
-IEC	
(A)	80
	#6-32
Width)(mm) (Blade thickness x	0.8x4.0
Philips	PH2
(N.m)	0.8
(N.m)	1

