

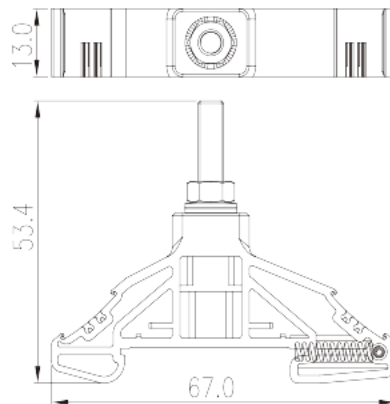
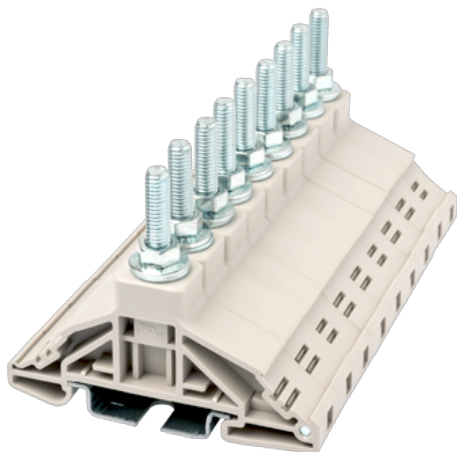
DKM5

DIN

>

:2026-07-04

:1.2



M5, 1000V, 85A, Beige (default)

| | |
|-------|---|
| | DIN Rail terminal blocks, Stud Connection |
| | Feed-Through single level |
| | Beige (default) |
| | Stud Connection |
| | Rail Mounting |
| (mm) | 67 |
| (mm) | 13 |
| (mm) | 54 |
| | Single level |
| | 1 |
| | PA |
| | I |
| UL 94 | V0 |
| | 500M at DC 500V |

-IEC



| | |
|--------------------|-------|
| (V) | 1000 |
| (A) | 76 |
| (III/3)(V) | 1000 |
| (III/3)(KV) | 8 |
| (mm ²) | 0.5 |
| (mm ²) | 16 |
| (mm ²) | 0.5 |
| (mm ²) | 16 |
| | M5 |
| (N.m) | 2 |
| (N.m) | 4 |
| | TS-35 |
| | NO |
| | NO |

-UL

| | |
|---------------------------------|------|
| (UL/CUL Group E)(V) | 1000 |
| (UL/CUL Group E)(A) | 85 |
| UL/CUL AWG | 16 |
| UL/CUL AWG | 4 |

&

| | |
|---------------|-----|
| (YES or NO) | NO |
| 가 (YES or NO) | NO |
| | 120 |
| | -40 |

UL

| | |
|----------------|------|
| (Group E)(AWG) | 16~4 |
| (Group E)(V) | 1000 |
| (Group E)(A) | 85 |

CUL

| | |
|----------------|------|
| (Group E)(AWG) | 16~4 |
| (Group E)(V) | 1000 |

(Group E)(A)

85

