

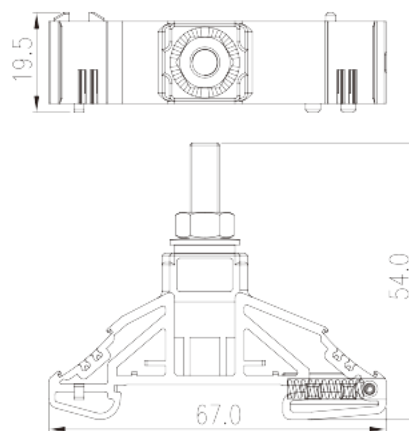
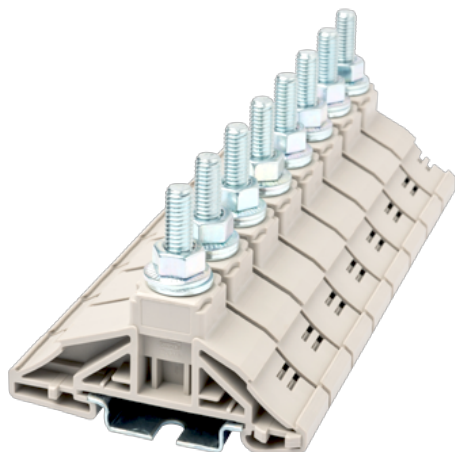
DKM6

DIN

>

:2026-07-04

:1.2



M6, 1000V, 115A, Beige (default)

	DIN Rail terminal blocks, Stud Connection
	Stud Connection
	Beige (default)
	Stud Connection
	Rail Mounting
(mm)	67
(mm)	19.5
(mm)	54
	Single level
	1
	PA
	I
UL 94	V0
	500M at DC 500V

-IEC



(V)	1000
(A)	125
(III/3)(V)	1000
(III/3)(KV)	8
(mm ²)	2.5
(mm ²)	35
(mm ²)	2.5
(mm ²)	35
	M6
(N.m)	3
(N.m)	6
	TS-35
	NO
	NO

-UL

(UL/CUL Group E)(V)	1000
(UL/CUL Group E)(A)	115
UL/CUL AWG	14
UL/CUL AWG	2

&

	120
	-40

UL

(Group E)(AWG)	14~2
(Group E)(V)	1000
(Group E)(A)	115

CUL

(Group E)(AWG)	14~2
(Group E)(V)	1000
(Group E)(A)	115

