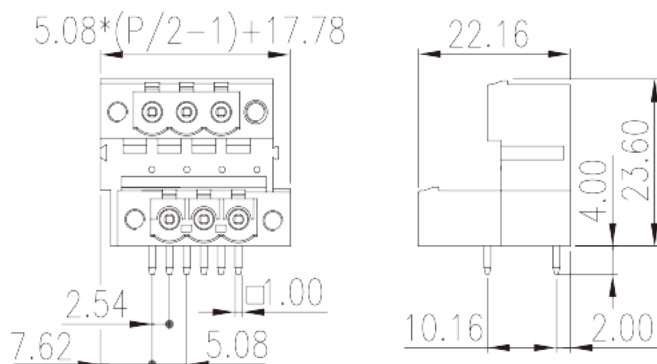
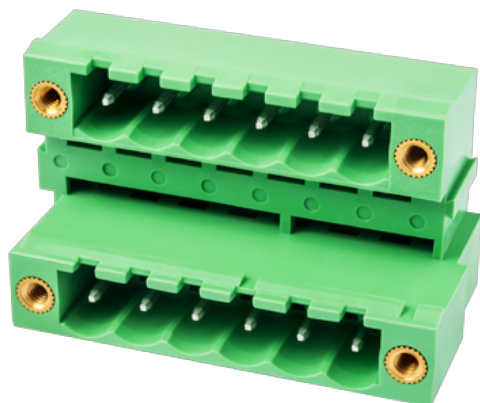


2EEHDRM-XXP

PCB > PCB -

:2026-07-04 :V1



Pitch : 5.08 mm, 300V, 15A

	PCB Connector – Socket, Wave soldering
	PCB Connector – Socket
(mm)	5.08
	Green (default)
	With threaded flange
	Wave soldering
(mm)	$5.08 \times (P/2 - 1) + 17.78$
(mm)	22.16
(mm)	23.6
() x () (mm)	1.0x1.0
PCB (mm)	1.6~1.7
()	04P~48P
	Double level
	PA
	I
UL 94	V0



	500M at DC 500V
	COPPER ALLOY
	Tin PLATED

-IEC

(V)	630
(A)	18
(II/2)(V)	630
(III/2)(V)	320
(III/3)(V)	320
(II/2)(KV)	4
(III/2)(KV)	4
(III/3)(KV)	4
(N.m)	0.3

-UL

(UL/CUL Group B)(V)	300
(UL/CUL Group B)(A)	15
(UL/CUL Group D)(V)	300
(UL/CUL Group D)(A)	10

&

가 (YES or NO)	YES
	120
	-40

UL

(Group B)(V)	300
(Group B)(A)	15
(Group D)(V)	300
(Group D)(A)	10

CUL

(Group B)(V)	300
(Group B)(A)	15

(Group D) (V)	300
(Group D) (A)	10

VDE

(V)	630
(A)	18

