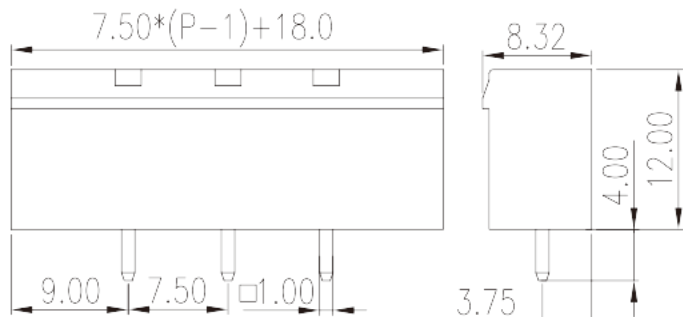
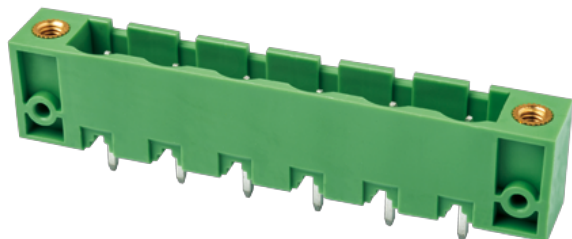


# 7EHDVM-XXP

PCB &gt; PCB -

:2026-07-05 :V1



Pitch : 7.50 mm, 300V, 15A

	PCB Connector – Socket, Wave soldering
	PCB Connector – Socket
(mm)	7.50
	Green (default)
	With threaded flange
	Wave soldering
(mm)	$7.50*(P-1) + 18.0$
(mm)	8.32
(mm)	12
(    x    ) (mm)	1.0x1.0
PCB (mm)	1.6~1.7
(    )	02P~12P
	Single level
	PA
	I
UL 94	V0



	500M at DC 500V
	COPPER ALLOY
	Tin PLATED

**-IEC**

(V)	1000
(A)	18
(II/2)(V)	1000
(III/2)(V)	630
(III/3)(V)	500
(II/2)(KV)	6
(III/2)(KV)	6
(III/3)(KV)	6
(N.m)	0.3

**-UL**

(UL/CUL Group B)(V)	300
(UL/CUL Group B)(A)	15
(UL/CUL Group D)(V)	300
(UL/CUL Group D)(A)	10

**&**

가 (YES or NO)	YES
	120
	-40

**UL**

(Group B)(V)	300
(Group B)(A)	15
(Group D)(V)	300
(Group D)(A)	10

**CUL**

(Group B)(V)	300
(Group B)(A)	15

(Group D)(V)	300
(Group D)(A)	10

VDE

(V)	800
(A)	18

