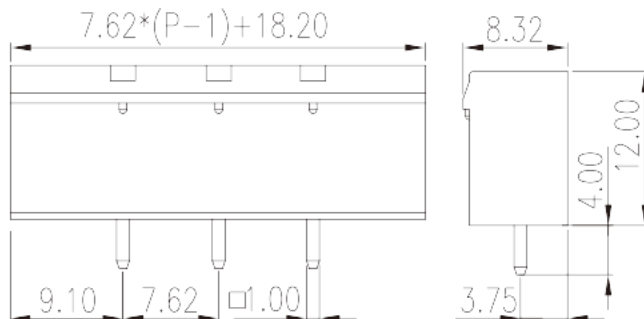
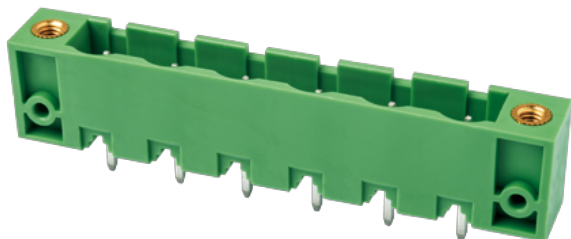


3EHDVM-XXP

PCB > PCB -

:2026-07-04 :V1



Pitch : 7.62 mm, 300V, 25A

	PCB Connector – Socket, Wave soldering
	PCB Connector – Socket
(mm)	7.62
	Green (default)
	With threaded flange
	Wave soldering
(mm)	$7.62*(P-1) + 18.2$
(mm)	8.32
(mm)	12
(x) (mm)	1.0x1.0
PCB (mm)	1.6~1.7
()	02P~14P
	Single level
	PA
	I
UL 94	V0



	500M at DC 500V
	COPPER ALLOY
	Tin PLATED

-IEC

(V)	800
(A)	18
(II/2)(V)	800
(III/2)(V)	630
(III/3)(V)	500
(II/2)(KV)	6
(III/2)(KV)	6
(III/3)(KV)	6
(N.m)	0.3

-UL

(UL/CUL Group B)(V)	300
(UL/CUL Group B)(A)	25
(UL/CUL Group D)(V)	300
(UL/CUL Group D)(A)	10

&

가 (YES or NO)	YES
	120
	-40

UL

(Group B)(V)	300
(Group B)(A)	25
(Group D)(V)	300
(Group D)(A)	10

CUL

(Group B)(V)	300
(Group B)(A)	25

(Group D) (V)	300
(Group D) (A)	10

VDE

(V)	800
(A)	18

