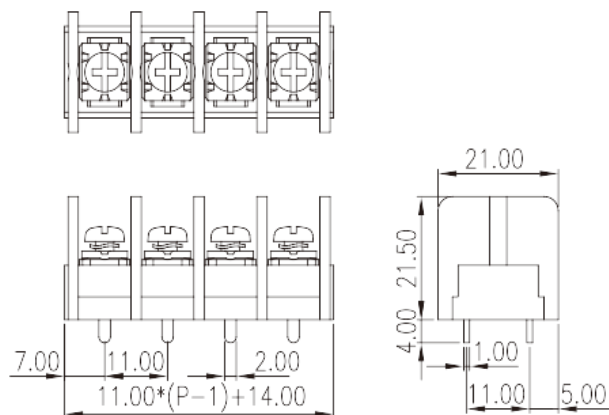
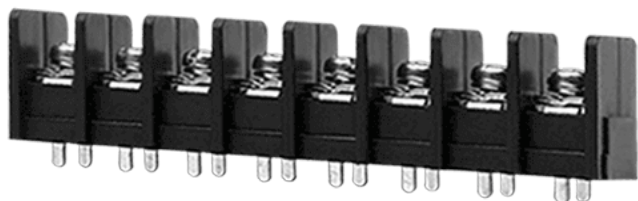


DT-66-B01W-XX

>

:2026-07-04 :1.1



Pitch: 11.00mm , M4, 300V, 40A

	Barrier terminal blocks , Screw connection
	Single Row
(mm)	11.00
	Black(default)
	Screw connection
	Without
(x) (mm)	1.0X2.0
PCB (mm)	2.6~2.7
	Single Row
	PBT
	IIIa
UL 94	V0
	Copper Alloy
	Tinned

-IEC



(A)		41
(II/2)(V)		800
(III/2)(V)		800
(III/3)(V)		500
(II/2)(KV)		8
(III/2)(KV)		8
(III/3)(KV)		8
(mm ²)		0.75
(mm ²)		6
(mm ²)		0.75
(mm ²)		6
2	(mm ²)	4
2	(mm ²)	4
		M4
Width)(mm)	(Blade thickness x	1.0X5.5
Philips		PH2
(N.m)		1.7
(N.m)		1.2
(N.m)		1.7
		12~13

-UL

(UL/CUL Group B)(V)		300
(UL/CUL Group B)(A)		40
(UL/CUL Group C)(V)		300
(UL/CUL Group C)(A)		40
(UL/CUL Group D)(V)		600
(UL/CUL Group D)(A)		5
UL/CUL	AWG	18
UL/CUL	AWG	8
UL/CUL	AWG	18
UL/CUL	AWG	8

&

(YES or NO)	NO
	130
	-40

UL

(Group B)(V)	300
(Group B)(A)	40
(Group C)(AWG)	18~8
(Group C)(V)	300
(Group C)(A)	40
(Group D)(AWG)	18~8
(Group D)(V)	600
(Group D)(A)	5

CUL

(Group B)(V)	300
(Group B)(A)	40
(Group C)(AWG)	18~8
(Group C)(V)	300
(Group C)(A)	40
(Group D)(AWG)	18~8
(Group D)(V)	600
(Group D)(A)	5

