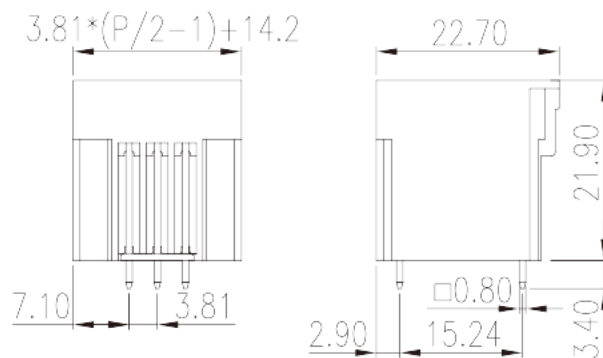
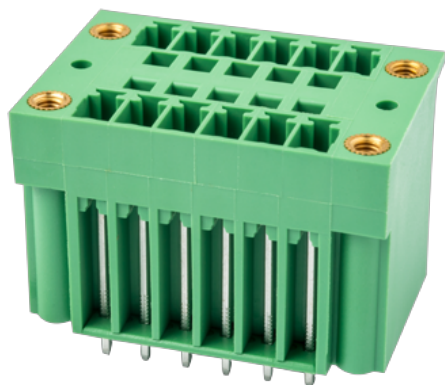


ECHB381VM- XXP

PCB > PCB -

:2026-07-04 :V1



Pitch : 3.81 mm, 300V, 8A

	PCB Connector – Socket, Wave soldering
	PCB Connector – Socket
(mm)	3.81
	Green (default)
	With threaded flange
	Wave soldering
(mm)	$3.81 * (P/2 - 1) + 14.2$
(mm)	22.7
(mm)	21.9
(x) (mm)	0.8x0.8
PCB (mm)	1.2~1.3
()	04P~32P
	Double level
	PBT



	IIIa
UL 94	V0
	1000M at DC 500V
	COPPER ALLOY
	Tin PLATED

-IEC

(V)	320
(A)	14
(II/2)(V)	320
(III/2)(V)	160
(III/3)(V)	160
(II/2)(KV)	2.5
(III/2)(KV)	2.5
(III/3)(KV)	2.5
(N.m)	0.3

-UL

(UL/CUL Group B)(V)	300
(UL/CUL Group B)(A)	8
(UL/CUL Group D)(V)	300
(UL/CUL Group D)(A)	8

&

가 (YES or NO)	YES
	120
	-40

UL

(Group B)(V)	300
(Group B)(A)	8
(Group D)(V)	300
(Group D)(A)	8

CUL

--	--

(Group B)(V)	300
(Group B)(A)	8
(Group D)(V)	300
(Group D)(A)	8

VDE

(V)	320
(A)	14

