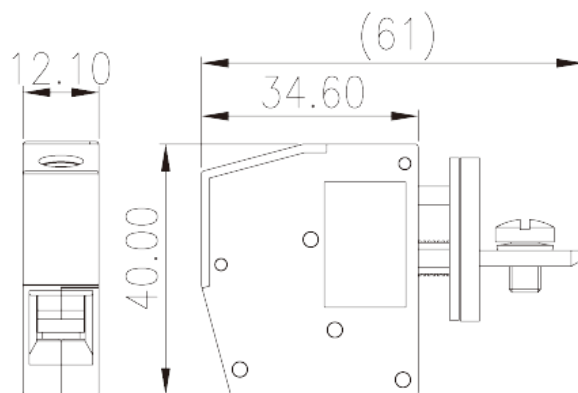
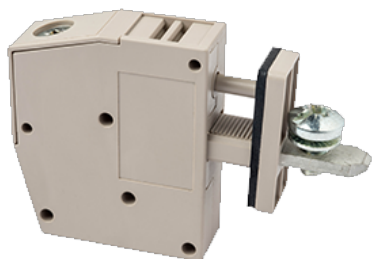


PPAC-16AS

PCB >

:2026-07-04 :1.2



M5, 300V, 85A

	Panel Feed-Through, Screw Connection
	Panel Feed-Through
	Grey (default)
	Screw connection
	Without
(mm)	12.1
(mm)	61
(mm)	40
()	1P
	PA
	I
UL 94	V0
	500M at DC 500V
	COPPER ALLOY
	Tin PLATED

-IEC

(V)	500
(A)	101
(III/3)(V)	500
(III/3)(KV)	6
(mm ²)	0.5
(mm ²)	25
(mm ²)	0.5
(mm ²)	25
(mm ²) , ,	0.5
(mm ²) , ,	16
(mm ²) , ,	0.5
(mm ²) , ,	16
2 (mm ²)	0.5
2 (mm ²)	6
2 (mm ²)	0.5
2 (mm ²)	6
(mm ²) 2 , ,	0.5
(mm ²) 2 , ,	6
2 (mm ²) , ,	0.5
2 (mm ²) , ,	6
Philips	M5
	PZ2
(N.m)	2.0~2.3
(N.m)	2
(N.m)	2.9
	16~17

-UL

(UL/CUL Group B)(V)	300
---------------------	-----



(UL/CUL Group B)(A)	85
(UL/CUL Group D)(V)	300
(UL/CUL Group D)(A)	10
UL/CUL AWG	22
UL/CUL AWG	4
UL/CUL AWG	22
UL/CUL AWG	4

&

(YES or NO)	YES
가 (YES or NO)	YES
	120
	-40

UL

(Group B)(AWG)	22~4
(Group B)(V)	300
(Group B)(A)	85
(Group D)(AWG)	22~4
(Group D)(V)	300
(Group D)(A)	10

CUL

(Group B)(AWG)	22~4
(Group B)(V)	300
(Group B)(A)	85
(Group D)(AWG)	22~4
(Group D)(V)	300
(Group D)(A)	10

--	--

