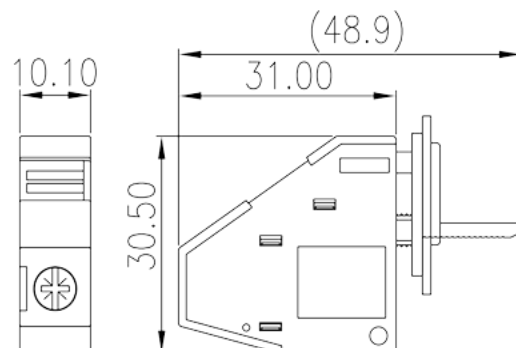


# PPACNV-10AS

PCB >

:2026-07-04 :1.2



M4, 300V, 65A

	Panel Feed-Through, Screw Connection
	Panel Feed-Through
	Grey (default)
	Screw connection
	Without
(mm)	10.1
(mm)	48.9
(mm)	30.5
( )	1P
	PA
	I
UL 94	V0
	500M at DC 500V
	COPPER ALLOY
	Tin PLATED

**-IEC**

(V)		400
(A)		76
(III/3)(V)		400
(III/3)(KV)		6
(mm <sup>2</sup> )		0.2
(mm <sup>2</sup> )		16
(mm <sup>2</sup> )		0.2
(mm <sup>2</sup> )		16
(mm <sup>2</sup> )	,	0.25
(mm <sup>2</sup> )	,	16
(mm <sup>2</sup> )	,	0.25
(mm <sup>2</sup> )	,	16
2	(mm <sup>2</sup> )	0.5
2	(mm <sup>2</sup> )	4
2	(mm <sup>2</sup> )	0.5
2	(mm <sup>2</sup> )	4
(mm <sup>2</sup> )	2 ,	0.5
(mm <sup>2</sup> )	2 ,	4
(mm <sup>2</sup> )	2 ,	0.5
(mm <sup>2</sup> )	2 ,	4
		M4
Width)(mm)	(Blade thickness x	1.0*5.5
Philips		PZ2
(N.m)		1.5
		10

**-UL**

(UL/CUL Group B)(V)		300
(UL/CUL Group B)(A)		65

(UL/CUL Group C)(V)		300
(UL/CUL Group C)(A)		65
(UL/CUL Group D)(V)		600
(UL/CUL Group D)(A)		5
UL/CUL	AWG	24
UL/CUL	AWG	6
UL/CUL	AWG	24
UL/CUL	AWG	6

&amp;

(YES or NO)		YES
가 (YES or NO)		YES
		120
		-40

