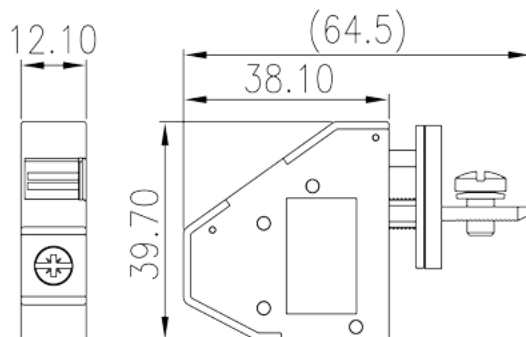
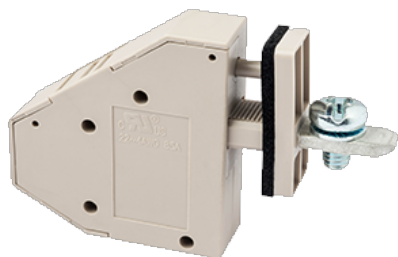


PPACV-16AS

PCB >

:2026-07-04 :1.2



M5, 300V, 85A

	Panel Feed-Through, Screw Connection
	Panel Feed-Through
	Grey (default)
	Screw connection
	Without
(mm)	12.1
(mm)	64.5
(mm)	39.7
(x) (mm)	2.5x6.9
()	1P
	PA
	I
UL 94	V0
	500M at DC 500V
	COPPER ALLOY
	Tin PLATED

-IEC

(V)	400
(A)	101
(III/3)(V)	400
(III/3)(KV)	6
(mm ²)	0.5
(mm ²)	25
(mm ²)	0.5
(mm ²)	16
(mm ²) , ,	0.5
(mm ²) , ,	16
(mm ²) , ,	0.5
(mm ²) , ,	16
² (mm ²) , ,	0.5
² (mm ²) , ,	6
	M5
Width)(mm) (Blade thickness x	Hex socket 4
Philips	PZ2
(N.m)	2.5
(N.m)	2
(N.m)	2.9
	16~17

-UL

(UL/CUL Group B)(V)	300
(UL/CUL Group B)(A)	85
(UL/CUL Group D)(V)	300
(UL/CUL Group D)(A)	10
UL/CUL AWG	22
UL/CUL AWG	4
UL/CUL AWG	22

UL/CUL	AWG	4
&		
	(YES or NO)	YES
가	(YES or NO)	YES
		120
		-40

UL

(Group B)(AWG)	22~4
(Group B)(V)	300
(Group B)(A)	85
(Group D)(AWG)	22~4
(Group D)(V)	300
(Group D)(A)	10

CUL

(Group B)(AWG)	22~4
(Group B)(V)	300
(Group B)(A)	85
(Group D)(AWG)	22~4
(Group D)(V)	300
(Group D)(A)	10

