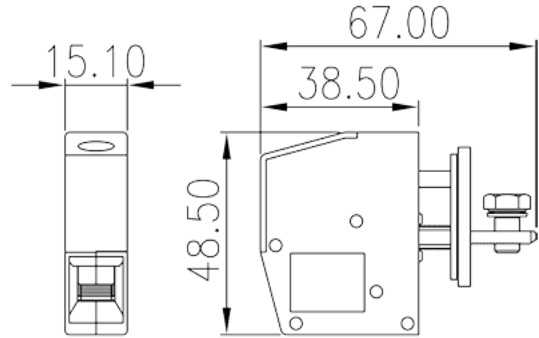
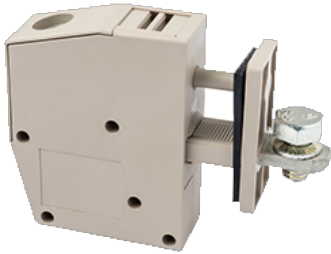


PPAC-25AS

PCB >

:2026-07-04 :1.2



M5, 300V, 115A

	Panel Feed-Through, Screw Connection
	Panel Feed-Through
	Grey (default)
	Screw connection
	Without
(mm)	15.1
(mm)	67
(mm)	48.5
()	1P
	PA
	I
UL 94	V0
	500M at DC 500V
	COPPER ALLOY
	Tin PLATED

-IEC

(V)	400
(A)	125
(III/3)(V)	400
(III/3)(KV)	8
(mm ²)	6
(mm ²)	35
(mm ²)	6
(mm ²)	35
(mm ²) , ,	6
(mm ²) , ,	16
(mm ²) , ,	6
(mm ²) , ,	16
2 (mm ²)	6
2 (mm ²)	10
2 (mm ²)	6
2 (mm ²)	10
(mm ²) ² , ,	0.5
(mm ²) ² , ,	10
2 (mm ²) , ,	0.5
2 (mm ²) , ,	6
	M5
Philips	PZ2
(N.m)	Inner:4.0N · m Outer:3.0N · m
(N.m)	2
(N.m)	3.4
	19

-UL

(UL/CUL Group B)(V)	300
---------------------	-----



(UL/CUL Group B)(A)		115
(UL/CUL Group D)(V)		300
(UL/CUL Group D)(A)		10
UL/CUL	AWG	8
UL/CUL	AWG	2
UL/CUL	AWG	8
UL/CUL	AWG	2

&

(YES or NO)		YES
가 (YES or NO)		YES
		120
		-40

UL

(Group B)(AWG)		8~2
(Group B)(V)		300
(Group B)(A)		115
(Group D)(AWG)		8~2
(Group D)(V)		300
(Group D)(A)		10

CUL

(Group B)(AWG)		8~2
(Group B)(V)		300
(Group B)(A)		115
(Group D)(AWG)		8~2
(Group D)(V)		300
(Group D)(A)		10

VDE

(mm ²)		6~35
(V)		400
(A)		125

