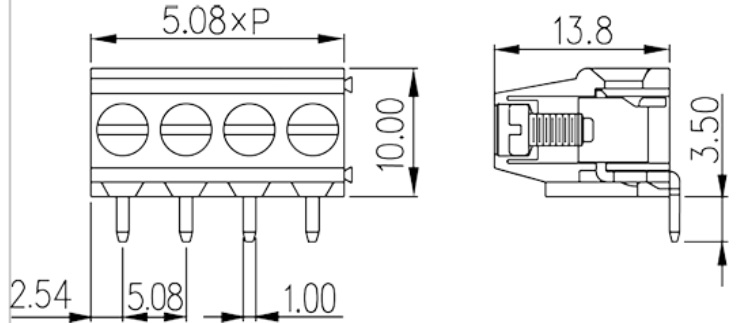
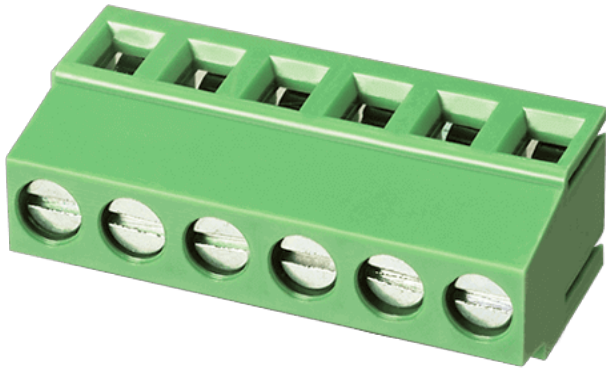


EK508R-XXP

PCB > PCB

:2026-07-04 :V1



Pitch : 5.08mm, 300V, 20A

		PCB Terminal Blocks, Screw Connection
		PCB Terminal Blocks
(mm)		5.08
		Green (default)
		Screw Connection
		Without
(mm)		5.08*(P-1)+5.08
(mm)		13.8
(mm)		10
(x) (mm)		0.8x1.0
PCB (mm)		1.6
()		02P~24P
		Single level
		PA
		I
UL 94		V0



	500M at DC 500V
	COPPER ALLOY
	Tin PLATED

-IEC

(V)	320
(A)	24
(II/2)(V)	630
(III/2)(V)	320
(III/3)(V)	250
(II/2)(KV)	4
(III/2)(KV)	4
(III/3)(KV)	4
(mm ²)	0.14
(mm ²)	2.5
(mm ²)	0.14
(mm ²)	2.5
(mm ²) , ,	0.25
(mm ²) , ,	1.5
(mm ²) , ,	0.25
(mm ²) , ,	1.5
2 (mm ²)	0.14
2 (mm ²)	1.5
2 (mm ²)	0.14
2 (mm ²)	0.75
	M2.5
Width)(mm) (Blade thickness x	0.6x3.5
(N.m)	0.5
	7~8

-UL

(UL/CUL Group B)(V)	300
---------------------	-----



(UL/CUL Group B)(A)	20
(UL/CUL Group D)(V)	300
(UL/CUL Group D)(A)	10
UL/CUL AWG	30
UL/CUL AWG	12
UL/CUL AWG	30
UL/CUL AWG	12

&

가 (YES or NO)	YES
	120
	-40

UL

(Group B)(AWG)	24~12
(Group B)(V)	300
(Group B)(A)	20
(Group D)(AWG)	24~12
(Group D)(V)	300
(Group D)(A)	10

CUL

(Group B)(AWG)	24~12
(Group B)(V)	300
(Group B)(A)	20
(Group D)(AWG)	24~12
(Group D)(V)	300
(Group D)(A)	10

CSA

(AWG)	24~12
(V)	300
(A)	10

