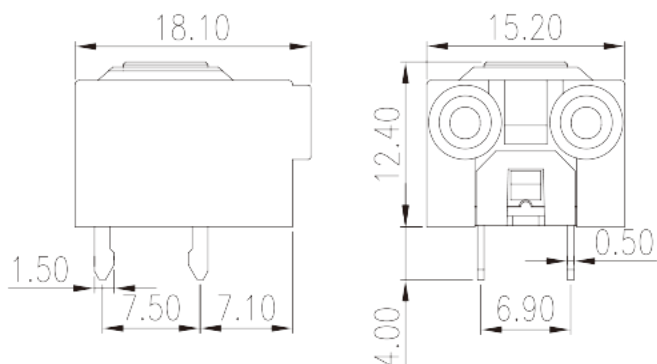


# 0146-0102

PCB > PCB

:2026-05-14 :V1



Pitch : 7.50mm, 300V, 10A

PCB Terminal Blocks, Push-in Design	
PCB Terminal Blocks	
(mm)	7.50
	Black (default)
	Push in design
	Without
	Wave soldering
(mm)	18.1
(mm)	15.2
(mm)	12.4
(    x    ) (mm)	0.5x1.5
PCB      (mm)	1.6~1.8
(    )	2
	Single level
	PBT
	IIIa



UL 94	V0
	500M at DC 500V
	COPPER ALLOY
	Tin PLATED

**-IEC**

(V)	750
(A)	17.5
(II/2)(V)	1000
(III/2)(V)	630
(III/3)(V)	500
(II/2)(KV)	6
(III/2)(KV)	6
(III/3)(KV)	6
(mm <sup>2</sup> )	0.5
(mm <sup>2</sup> )	2.5
(mm <sup>2</sup> )	0.5
(mm <sup>2</sup> )	2.5
(mm <sup>2</sup> ) , ,	0.25
(mm <sup>2</sup> ) , ,	1
(mm <sup>2</sup> ) , ,	0.25
(mm <sup>2</sup> ) , ,	1
	12

**-UL**

(UL/CUL Group B)(V)	300
(UL/CUL Group B)(A)	10
UL/CUL AWG	20
UL/CUL AWG	12
UL/CUL AWG	20
UL/CUL AWG	14

**&**

가 (YES or NO)	YES
	120
	-40

VDE

(mm <sup>2</sup> )	0.5~2.5
(V)	750
(A)	17.5

