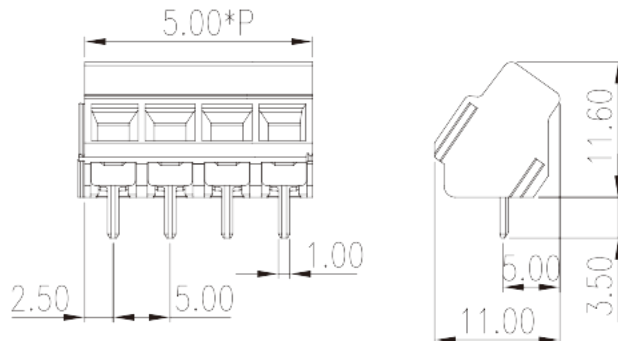
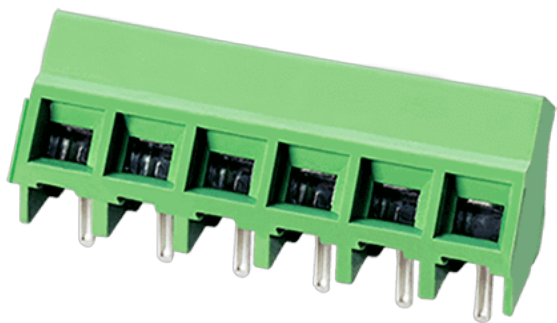


# ELK500S-XXP

PCB > PCB

:2025-12-25 :V1



Pitch : 5.00mm, 300V, 13.5A

	PCB Terminal Blocks, Screw Connection
	PCB Terminal Blocks
(mm)	5.00
	Green (default)
	Screw Connection
	Without
(mm)	$5.00 * (P-1) + 5.0$
(mm)	11
(mm)	11.6
(    x    ) (mm)	0.75x1.0
PCB (mm)	1.3
(    )	02P~24P
	Single level
	PA
	I
UL 94	V0



	500M at DC 500V
	COPPER ALLOY
	Tin PLATED

**-IEC**

(V)	250
(A)	17.5
(II/2)(V)	630
(III/2)(V)	250
(III/3)(V)	250
(II/2)(KV)	4
(III/2)(KV)	4
(III/3)(KV)	4
(mm <sup>2</sup> )	0.14
(mm <sup>2</sup> )	1.5
(mm <sup>2</sup> )	0.14
(mm <sup>2</sup> )	1.5
(mm <sup>2</sup> )	0.25
(mm <sup>2</sup> )	1
(mm <sup>2</sup> )	0.25
(mm <sup>2</sup> )	1
2 (mm <sup>2</sup> )	0.14
2 (mm <sup>2</sup> )	1
2 (mm <sup>2</sup> )	0.14
2 (mm <sup>2</sup> )	0.5
	M2.5
Width)(mm) (Blade thickness x	0.6x3.5
(N.m)	0.4
	5~6

**-UL**

(UL/CUL Group B)(V)	300
---------------------	-----



(UL/CUL Group B)(A)		13.5
(UL/CUL Group D)(V)		300
(UL/CUL Group D)(A)		10
UL/CUL	AWG	30
UL/CUL	AWG	14
UL/CUL	AWG	30
UL/CUL	AWG	14

&amp;

가	(YES or NO)	YES
		120
		-40

**UL**

(Group B)(AWG)		30~14
(Group B)(V)		300
(Group B)(A)		13.5
(Group D)(AWG)		30~14
(Group D)(V)		300
(Group D)(A)		10

**CUL**

(Group B)(AWG)		30~14
(Group B)(V)		300
(Group B)(A)		13.5
(Group D)(AWG)		30~14
(Group D)(V)		300
(Group D)(A)		10

**VDE**

(mm <sup>2</sup> )		0.14~1.5
(V)		250
(A)		17.5

