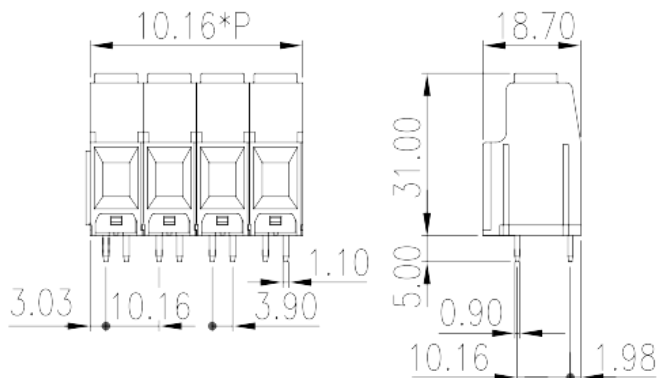
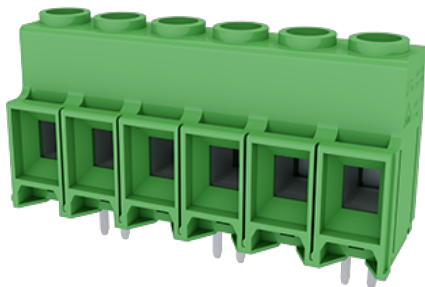


EPK116VS-XXP

PCB > PCB

:2026-07-05 :V1



Pitch : 10.16mm , 600V , 57sol/65str

	PCB Terminal Blocks, Screw Connection
	PCB Terminal Blocks
(mm)	10.16
	Green (default)
	Screw Connection
	Without
(mm)	10.16*P
(mm)	18.7
(mm)	31
(x) (mm)	1.1 x 0.9
PCB (mm)	1.5
()	02~12
	Single level
	PA
	I
UL 94	V0



	500 M at DC 500V
	COPPER ALLOY
	Tin PLATED

-IEC

(V)	1000
(A)	76
(II/2)(V)	1000
(III/2)(V)	1000
(III/3)(V)	800
(II/2)(KV)	8
(III/2)(KV)	8
(III/3)(KV)	8
(mm ²)	0.5
(mm ²)	16
(mm ²)	0.5
(mm ²)	16
(mm ²)	0.5
(mm ²)	16
(mm ²)	0.5
(mm ²)	16
(mm ²)	0.5
(mm ²)	16
2 (mm ²)	6
2 (mm ²)	6
	M4
Philips	1.0x5.5
(N.m)	1.2
(N.m)	1.3
(N.m)	1.4
	12~13

-UL

(UL/CUL Group B)(V)	600
(UL/CUL Group B)(A)	57sol/65str



(UL/CUL Group C)(V)		600
(UL/CUL Group C)(A)		57sol / 65str
UL/CUL	AWG	20
UL/CUL	AWG	6

&

가	(YES or NO)	YES
		120
		-40

UL

(Group B)(AWG)		20~6
(Group B)(V)		600
(Group B)(A)		65
(Group C)(AWG)		20~6
(Group C)(V)		600
(Group C)(A)		65

CUL

(Group B)(AWG)		20~6
(Group B)(V)		600
(Group B)(A)		65
(Group C)(AWG)		20~6
(Group C)(V)		600
(Group C)(A)		65

VDE

(mm ²)		0.5~16
(V)		1000
(A)		76

--	--	--

