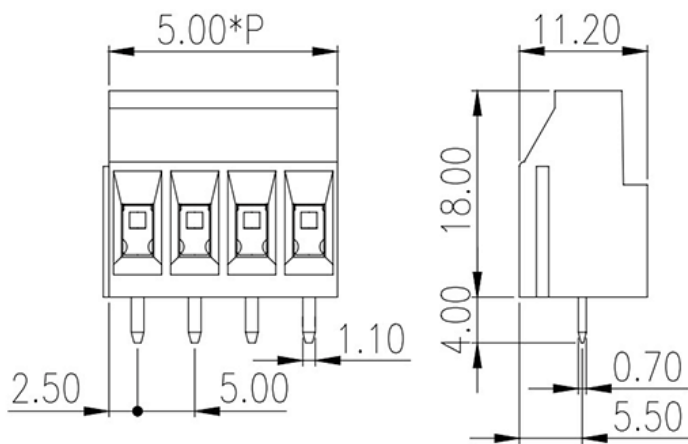


EHK5V-XXP

PCB > PCB

:2026-05-14 :V1



Pitch : 5.00mm, 300V, 25A

		PCB Terminal Blocks, Screw Connection
		PCB Terminal Blocks
(mm)		5.00
		Green (default)
		Screw Connection
		Without
(mm)		$5.00 \times (P-1) + 5.0$
(mm)		11.2
(mm)		18
() x () (mm)		0.7x1.1
PCB (mm)		1.6
()		02P~24P
		Single level
		PA
		I
UL 94		V0



	500M at DC 500V
	COPPER ALLOY
	Tin PLATED

-IEC

(V)	320
(A)	24
(II/2)(V)	630
(III/2)(V)	320
(III/3)(V)	250
(II/2)(KV)	4
(III/2)(KV)	4
(III/3)(KV)	4
(mm ²)	0.2
(mm ²)	2.5
(mm ²)	0.2
(mm ²)	2.5
(mm ²) , ,	0.25
(mm ²) , ,	2.5
(mm ²) , ,	0.25
(mm ²) , ,	2.5
2 (mm ²)	0.2
2 (mm ²)	1.5
2 (mm ²)	0.2
2 (mm ²)	1.5
(mm ²) 2 , ,	0.5
(mm ²) 2 , ,	1.5
2 (mm ²) , ,	0.5
2 (mm ²) , ,	1.5
	M2.5



Width)(mm)	(Blade thickness x	0.6x3.5
	(N.m)	0.4
		8

-UL

(UL/CUL Group B)(V)		300
(UL/CUL Group B)(A)		25
(UL/CUL Group D)(V)		300
(UL/CUL Group D)(A)		10
UL/CUL	AWG	24
UL/CUL	AWG	12
UL/CUL	AWG	24
UL/CUL	AWG	12

&

가	(YES or NO)	YES
		120
		-40

UL

(Group B)(AWG)		24~12
(Group B)(V)		300
(Group B)(A)		25(FW1)/20(FW2)
(Group D)(AWG)		24~12
(Group D)(V)		300
(Group D)(A)		10

CUL

(Group B)(AWG)		24~12
(Group B)(V)		300
(Group B)(A)		25(FW1)/20(FW2)
(Group D)(AWG)		24~12
(Group D)(V)		300
(Group D)(A)		10

VDE

(mm ²)	0.2~2.5
(V)	300
(A)	24

