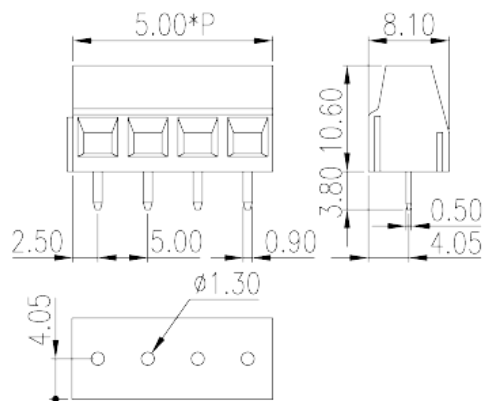
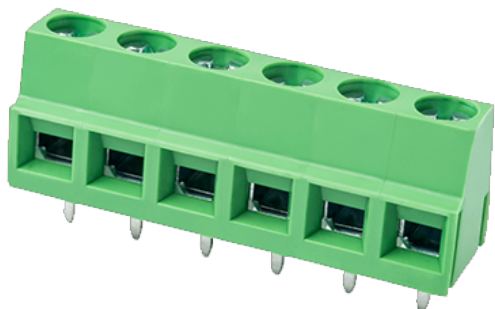


ELK500V-XXP

PCB > PCB

:2026-07-04 :V1



Pitch : 5.00mm, 300V, 13.5A

		PCB Terminal Blocks, Screw Connection
		PCB Terminal Blocks
(mm)		5.00
		Green (default)
		Screw Connection
		Without
(mm)		5.00*P
(mm)		8.1
(mm)		10.6
(x) (mm)		0.5x0.9
PCB (mm)		1.3
()		02P~24P
		Single level
		PA
		I
UL 94		V0



	500M at DC 500V
	COPPER ALLOY
	Tin PLATED

-IEC

(V)	400
(A)	14
(II/2)(V)	630
(III/2)(V)	400
(III/3)(V)	250
(II/2)(KV)	4
(III/2)(KV)	4
(III/3)(KV)	4
(mm ²)	0.14
(mm ²)	1.5
(mm ²)	0.14
(mm ²)	1.5
(mm ²)	0.25
(mm ²)	1
(mm ²)	0.25
(mm ²)	1
2 (mm ²)	0.14
2 (mm ²)	1
2 (mm ²)	0.14
2 (mm ²)	0.75
	M2.5
Width)(mm) (Blade thickness x	0.6x3.5, PH1
(N.m)	0.4
	5~6

-UL

(UL/CUL Group B)(V)	300
---------------------	-----

(UL/CUL Group B)(A)		13.5
(UL/CUL Group D)(V)		300
(UL/CUL Group D)(A)		10
UL/CUL	AWG	30
UL/CUL	AWG	16
UL/CUL	AWG	30
UL/CUL	AWG	16

&

가	(YES or NO)	YES
		120
		-40

UL

(Group B)(AWG)		30~16
(Group B)(V)		300
(Group B)(A)		13.5
(Group D)(AWG)		30~16
(Group D)(V)		300
(Group D)(A)		10

CUL

(Group B)(AWG)		30~16
(Group B)(V)		300
(Group B)(A)		13.5
(Group D)(AWG)		30~16
(Group D)(V)		300
(Group D)(A)		10

VDE

(mm ²)		0.2~1.5
(V)		400
(A)		14

