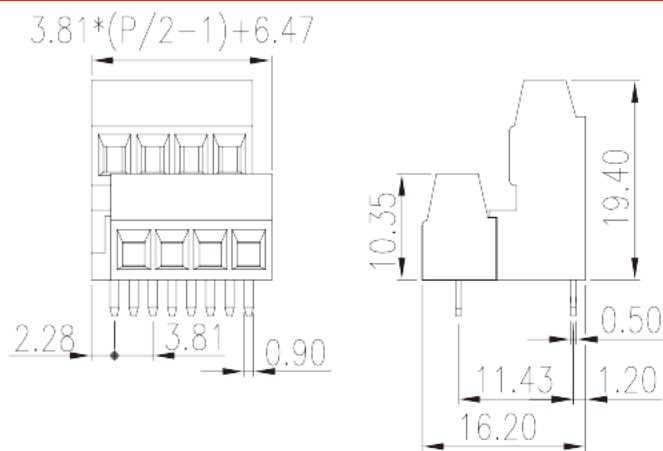


ESK381V4L-XXP

PCB > PCB

:2026-07-05 :1.1



Pitch : 3.81mm, 300V, 15A

		PCB Terminal Blocks, Screw Connection
		PCB Terminal Blocks
(mm)		3.81
		Green (default)
		Screw Connection
		Without
(mm)		$3.81 \times (P-1) + 6.47$
(mm)		16.2
(mm)		19.4
() x () (mm)		0.9x0.5
PCB (mm)		1.2
()		04P~48P
		Double level
		PA
		I
UL 94		V0



	500M at DC 500V
	COPPER ALLOY
	Tin PLATED

-IEC

(V)	160
(A)	12
(II/2)(V)	320
(III/2)(V)	160
(III/3)(V)	160
(II/2)(KV)	2.5
(III/2)(KV)	2.5
(III/3)(KV)	2.5
(mm ²)	0.2
(mm ²)	1.5
(mm ²)	0.2
(mm ²)	1
(mm ²)	0.2
(mm ²)	1
(mm ²)	0.2
(mm ²)	1
2 (mm ²)	0.2
2 (mm ²)	1
2 (mm ²)	0.2
2 (mm ²)	1
	M2
Width)(mm) (Blade thickness x	0.4x2.5
(N.m)	0.2
	6~7

-UL

(UL/CUL Group B)(V)	300
---------------------	-----



(UL/CUL Group B)(A)	15
(UL/CUL Group D)(V)	300
(UL/CUL Group D)(A)	10
UL/CUL AWG	30
UL/CUL AWG	14
UL/CUL AWG	30
UL/CUL AWG	14

&

가 (YES or NO)	YES
	120
	-40

UL

(Group B)(AWG)	30~14
(Group B)(V)	300
(Group B)(A)	15
(Group D)(AWG)	30~14
(Group D)(V)	300
(Group D)(A)	10

CUL

(Group B)(AWG)	30~14
(Group B)(V)	300
(Group B)(A)	15
(Group D)(AWG)	30~14
(Group D)(V)	300
(Group D)(A)	10

--	--

