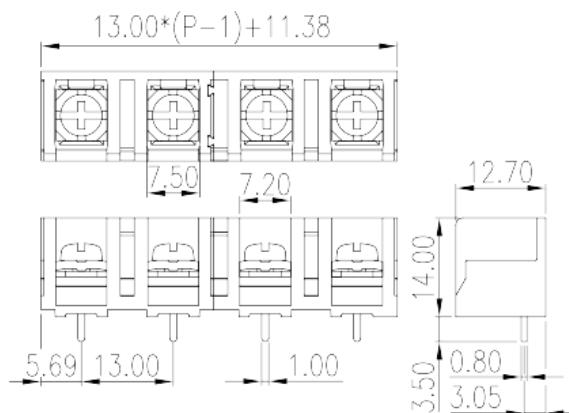


0167-70XX

>

:2026-07-06 :1.1



Pitch: 13.00mm , M3.5, 600V, 20A

	Barrier terminal blocks , Screw connection
	Single Row
(mm)	13.00
	Black(default)
	Screw connection
	Without
(x) (mm)	0.8X1.0
PCB (mm)	1.5~1.6
	Single Row
	PBT
	IIIa
UL 94	V0
	Copper Alloy
	Tinned

-IEC

(A)		24
(II/2)(V)		1000
(III/2)(V)		1000
(III/3)(V)		800
(II/2)(KV)		8
(III/2)(KV)		8
(III/3)(KV)		8
(mm ²)		0.5
(mm ²)		2.5
(mm ²)		0.5
(mm ²)		2.5
2	(mm ²)	1.5
2	(mm ²)	1.5
		M3.5
Width)(mm)	(Blade thickness x	0.8x4
Philips		PH1
(N.m)		1
(N.m)		0.8
(N.m)		1
		8~9

-UL

(UL/CUL Group B)(V)		600
(UL/CUL Group B)(A)		20
(UL/CUL Group C)(V)		600
(UL/CUL Group C)(A)		20
UL/CUL	AWG	22
UL/CUL	AWG	12
UL/CUL	AWG	22
UL/CUL	AWG	12

&

(YES or NO)		YES
		130

-40

UL

(Group B) (AWG)	22~12
(Group B) (V)	600
(Group B) (A)	20
(Group C) (AWG)	22~12
(Group C) (V)	600
(Group C) (A)	20

CUL

(Group B) (AWG)	22~12
(Group B) (V)	600
(Group B) (A)	20
(Group C) (AWG)	22~12
(Group C) (V)	600
(Group C) (A)	20

VDE

(mm ²)	0.5~2.5
(A)	24

