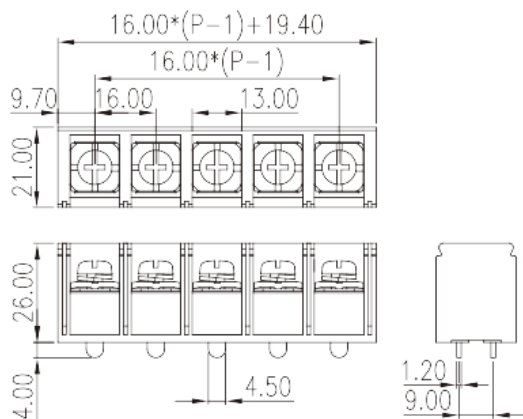


0167-80XX

>

:2026-07-06 :1.1



Pitch: 16.00mm , M5, 600V, 65/85A

	Barrier terminal blocks , Screw connection
	Single Row
(mm)	16.00
	Black(default)
	Screw connection
	Without
(x) (mm)	1.2X4.5
PCB (mm)	1.7x5.8
	Single Row
	PBT
	IIIa
UL 94	V0
	Copper Alloy
	Tinned

-IEC

(A)		76
(II/2)(V)		1000
(III/2)(V)		1000
(III/3)(V)		630
(II/2)(KV)		8
(III/2)(KV)		8
(III/3)(KV)		8
(mm ²)		2.5
(mm ²)		16
(mm ²)		2.5
(mm ²)		16
2	(mm ²)	10
2	(mm ²)	10
		M5
Width)(mm)	(Blade thickness x	1.0x5.5
Philips		PH2
	(N.m)	2.4
	(N.m)	2
	(N.m)	2.4
		13~14

-UL

(UL/CUL Group B)(V)		600
(UL/CUL Group B)(A)		65 Str/85 Sol
(UL/CUL Group C)(V)		600
(UL/CUL Group C)(A)		65 Str/85 Sol
UL/CUL	AWG	14/4
UL/CUL	AWG	6/4
UL/CUL	AWG	14/--
UL/CUL	AWG	6/--

&

(YES or NO)		YES
		130

-40

UL

(Group B) (AWG)	14~4
(Group B) (V)	600
(Group B) (A)	65 Str/85 Sol
(Group C) (AWG)	14~4
(Group C) (V)	600
(Group C) (A)	65 Str/85 Sol

CUL

(Group B) (AWG)	14~4
(Group B) (V)	600
(Group B) (A)	65 Str/85 Sol
(Group C) (AWG)	14~4
(Group C) (V)	600
(Group C) (A)	65 Str/85 Sol

VDE

(mm ²)	2.5~16
(A)	76

