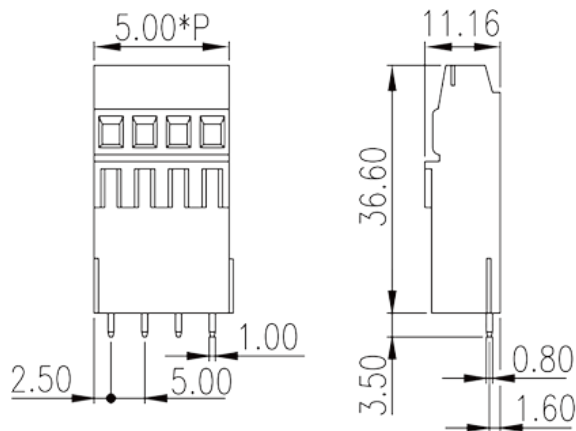


# E3K500V-XXP

PCB > PCB

:2026-07-04 :V1



Pitch : 5.00mm, 300V, 20A

		PCB Terminal Blocks, Screw Connection
		PCB Terminal Blocks
(mm)		5.00
		Green (default)
		Screw Connection
		Without
(mm)		$5.00 * (P-1) + 5.0$
(mm)		11.16
(mm)		36.6
( ) x ( ) (mm)		0.8x1.0
PCB (mm)		1.7~1.8
( )		02P~10P
		Single level
		PA
		I
UL 94		V0



	500M at DC 500V
	COPPER ALLOY
	Tin PLATED

**-IEC**

(V)	320
(A)	24
(II/2)(V)	630
(III/2)(V)	320
(III/3)(V)	250
(II/2)(KV)	4
(III/2)(KV)	4
(III/3)(KV)	4
(mm <sup>2</sup> )	0.5
(mm <sup>2</sup> )	2.5
(mm <sup>2</sup> )	0.5
(mm <sup>2</sup> )	2.5
(mm <sup>2</sup> ) , ,	0.5
(mm <sup>2</sup> ) , ,	1.5
(mm <sup>2</sup> ) , ,	0.5
(mm <sup>2</sup> ) , ,	1.5
2 (mm <sup>2</sup> )	0.5
2 (mm <sup>2</sup> )	1
2 (mm <sup>2</sup> )	0.5
2 (mm <sup>2</sup> )	1
(mm <sup>2</sup> ) 2 , ,	0.5
(mm <sup>2</sup> ) 2 , ,	1
2 (mm <sup>2</sup> ) , ,	0.5
2 (mm <sup>2</sup> ) , ,	1
	M2.5



Width)(mm)	(Blade thickness x	0.6x3.5
	(N.m)	0.5
		6~7

**-UL**

(UL/CUL Group B)(V)		300
(UL/CUL Group B)(A)		20
(UL/CUL Group D)(V)		300
(UL/CUL Group D)(A)		10
UL/CUL	AWG	24
UL/CUL	AWG	12
UL/CUL	AWG	24
UL/CUL	AWG	12

**&**

가	(YES or NO)	YES
		120
		-40

**UL**

(Group B)(AWG)		24~12
(Group B)(V)		300
(Group B)(A)		20
(Group D)(AWG)		24~12
(Group D)(V)		300
(Group D)(A)		10

**CUL**

(Group B)(AWG)		24~12
(Group B)(V)		300
(Group B)(A)		20
(Group D)(AWG)		24~12
(Group D)(V)		300
(Group D)(A)		10

CSA

(AWG)	24~12
(V)	300
(A)	10

