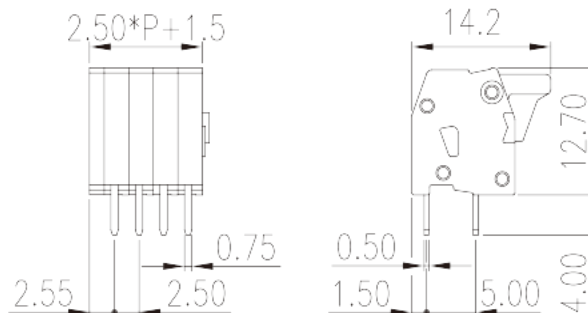
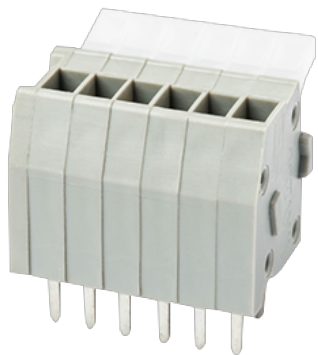


# WKV250A-XXP

PCB &gt; PCB

:2026-07-05 :V1



Pitch : 2.50mm, 150V, 4A

	PCB Terminal Blocks, Spring Clamp Connection
	PCB Terminal Blocks
(mm)	2.50
	Grey (default)
	Spring Clamp Connection
	Without
(mm)	$2.50 * (P-1) + 4.7$
(mm)	14.2
(mm)	13.8
(    x    ) (mm)	0.5x0.75
PCB (mm)	1.1
(    )	01P~32P
	Single level
	PA
	I
UL 94	V0



	500M at DC 500V
	COPPER ALLOY
	Tin PLATED

**-IEC**

(V)	160
(A)	6
(II/2)(V)	320
(III/2)(V)	160
(III/3)(V)	80
(II/2)(KV)	2.5
(III/2)(KV)	2.5
(III/3)(KV)	2.5
(mm <sup>2</sup> )	0.5
(mm <sup>2</sup> )	0.5
(mm <sup>2</sup> )	0.5
(mm <sup>2</sup> )	0.5
Width)(mm) (Blade thickness x	0.4x2.5
	5~6

**-UL**

(UL/CUL Group B)(V)	150
(UL/CUL Group B)(A)	4
(UL/CUL Group D)(V)	300
(UL/CUL Group D)(A)	4
UL/CUL AWG	28
UL/CUL AWG	20
UL/CUL AWG	28
UL/CUL AWG	20

**&**

가 (YES or NO)	YES
	120
	-40

## UL

(Group B)(AWG)	28~20
(Group B)(V)	150
(Group B)(A)	4
(Group D)(AWG)	28~20
(Group D)(V)	300
(Group D)(A)	4

## CUL

(Group B)(AWG)	28~20
(Group B)(V)	150
(Group B)(A)	4
(Group D)(AWG)	28~20
(Group D)(V)	300
(Group D)(A)	4

## VDE

(mm <sup>2</sup> )	0.5
(V)	130
(A)	6

