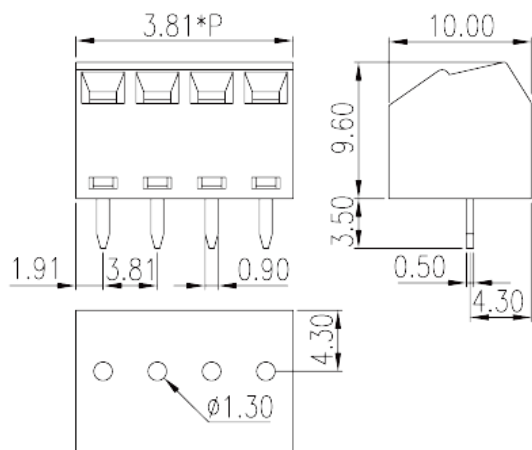


# EK381A-XXP

PCB > PCB

:2026-07-04



Pitch :3.81mm, M2, 300V, 12A

PCB Terminal Blocks, Screw Connection



	PCB Terminal Blocks
(mm)	3.81
	Green (default)
	Screw Connection
	Without
	Wave Soldering
(mm)	3.81*P
(mm)	10
(mm)	9.5
(    x    ) (mm)	0.5x0.9
PCB (mm)	1.3
(    )	02P~24P
	Single level
	2~24

	PA
	I
UL 94	V0
	500M at DC 500V
	COPPER ALLOY
	Tin PLATED

**-IEC**

(V)	250
(A)	12
(II/2)(V)	400
(III/2)(V)	250
(III/3)(V)	160
(II/2)(KV)	2.5
(III/2)(KV)	2.5
(III/3)(KV)	2.5
(mm <sup>2</sup> )	0.14
(mm <sup>2</sup> )	1.5
(mm <sup>2</sup> )	0.14



	(mm <sup>2</sup> )		1.5
(mm <sup>2</sup> )	,	,	0.25
(mm <sup>2</sup> )	,	,	0.75
(mm <sup>2</sup> )	,	,	0.25
(mm <sup>2</sup> )	,	,	0.75
	2	(mm <sup>2</sup> )	0.14
	2	(mm <sup>2</sup> )	0.5
	2	(mm <sup>2</sup> )	0.14
	2	(mm <sup>2</sup> )	0.34
			M2
Width)(mm)	(Blade thickness x		0.4x2.5
	(N.m)		0.2
	(N.m)		0.25
			5

**-UL**

	(UL/CUL Group B)(V)		300
	(UL/CUL Group B)(A)		12
	(UL/CUL Group D)(V)		300
	(UL/CUL Group D)(A)		10
UL/CUL	AWG		30
UL/CUL	AWG		16
UL/CUL	AWG		30
UL/CUL	AWG		16

**&**

가	(YES or NO)		YES
			120
			-40

**UL**

	(Group B)(AWG)		30~16
--	----------------	--	-------

(Group B) (V)	300
(Group B) (A)	12
(Group D) (AWG)	30~16
(Group D) (V)	300
(Group D) (A)	10

## CUL

(Group B) (AWG)	30~16
(Group B) (V)	300
(Group B) (A)	12
(Group D) (AWG)	30~16
(Group D) (V)	300
(Group D) (A)	10

